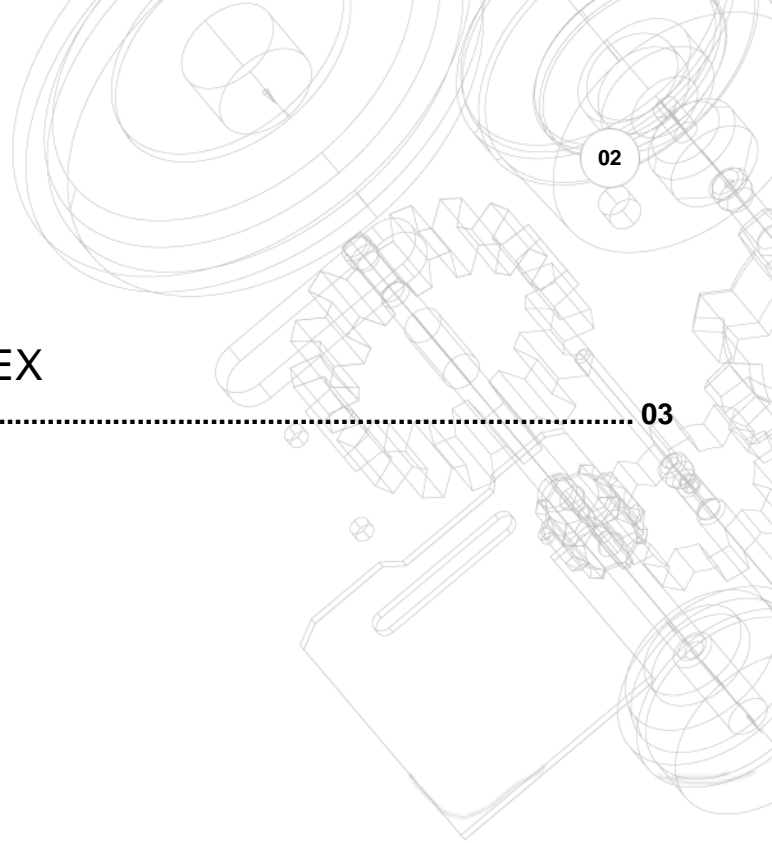




22/06/2026

# **CATALOGUE: INSPECTION, ROLLING, PACKING AND DOUBLING**





## INDEX

<b>INSPECTION, ROLLING, PACKING AND DOUBLING .....</b>	<b>03</b>
--	-----------

## INSPECTION, ROLLING, PACKING AND DOUBLING



Reference: M-1553  
Inspecting and Rolling Machine  
Year: .  
Brand: .  
Width: 2000



Reference: MIC-037  
Inspecting and Rolling Machine  
Year: 1997  
Brand: MATTHYS  
Width: 2000



Reference: SDT-020  
Inspecting and Rolling Machine  
Year: 1989  
Brand: Offri  
Width: 2200



Reference: M-1634  
Inspecting and Rolling Machine  
Year: .  
Brand: Macotex  
Width: 2000



Reference: TTR-003  
INSPECTING TABLE WITH  
COUNTER  
Year: .  
Brand: .  
Width: 1800



Reference: LVS-002  
PACKING MACHINE  
Year: .  
Brand: CIPRO  
Width: .



Reference: LVS-001  
PACKING MACHINE  
Year: .  
Brand: IM2  
Width: .



Reference: MTB-025  
PACKING MACHINE  
Year: 1991  
Brand: Tapalsa  
Width: 2400



Reference: QTX-006  
ROLLING MACHINE  
Year: 2005  
Brand: STI SERVIZI TECNICI  
INTEGRATI  
Width: 1940



Reference: QTX-007  
ROLLING MACHINE  
Year: 2004  
Brand: STI SERVIZI TECNICI  
INTEGRATI  
Width: 1940



Reference: TXD-035  
Rolling Machine 1000mm  
Year: .  
Brand: Massana  
Width: 1000



Reference: TXD-036  
Rolling Machine 1000mm  
Year: .  
Brand: Massana  
Width: 1000



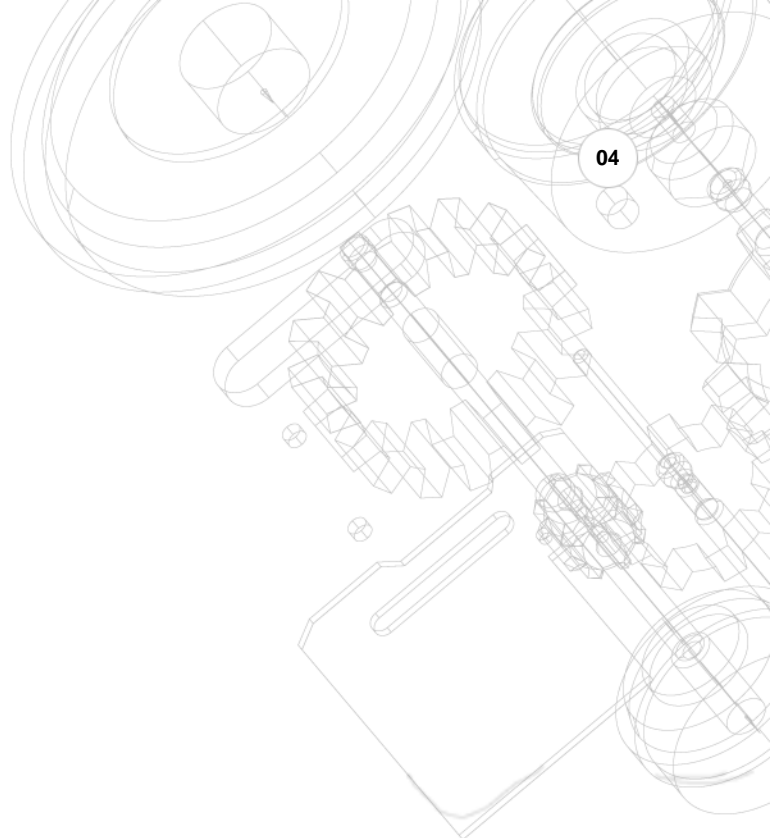
Reference: QTX-009  
UNROLLING MACHINE  
Year: 2005  
Brand: STI SERVIZI TECNICI  
INTEGRATI  
Width: 1940



Reference: QTX-010  
UNROLLING MACHINE  
Year: 2005  
Brand: STI SERVIZI TECNICI  
INTEGRATI  
Width: 1940



Reference: QTX-008  
UNROLLING MACHINE  
Year: 2005  
Brand: STI SERVIZI TECNICI  
INTEGRATI  
Width: 1940





For more machines and pictures you can visit our web site:

**WWW.COMERCIALCATALANA.COM**

We also have available:

- Dyeing / Squeezing and impregnating padder
- Inspection, rolling and packing machines
- Hydroextractors
- Winding for beam dyeing
- A-frames diferent width
- Escales
- Laboratory equipment
- Screw compressors and air dryer
- Sewing machines
- Open width sewing machines
- Hydraulics unit
- Poliester tanks for water and liquid salt
- Stainles steel tanks, diferent capacities
- Water treatment
- Land filters
- Metallic racks
- Electric fork lifts
- Reparation and maintenance service
- New TECNOLOGIES for finishing and dyeing machinery

See our Technology section within our web site [www.comercialcatalana.com](http://www.comercialcatalana.com)