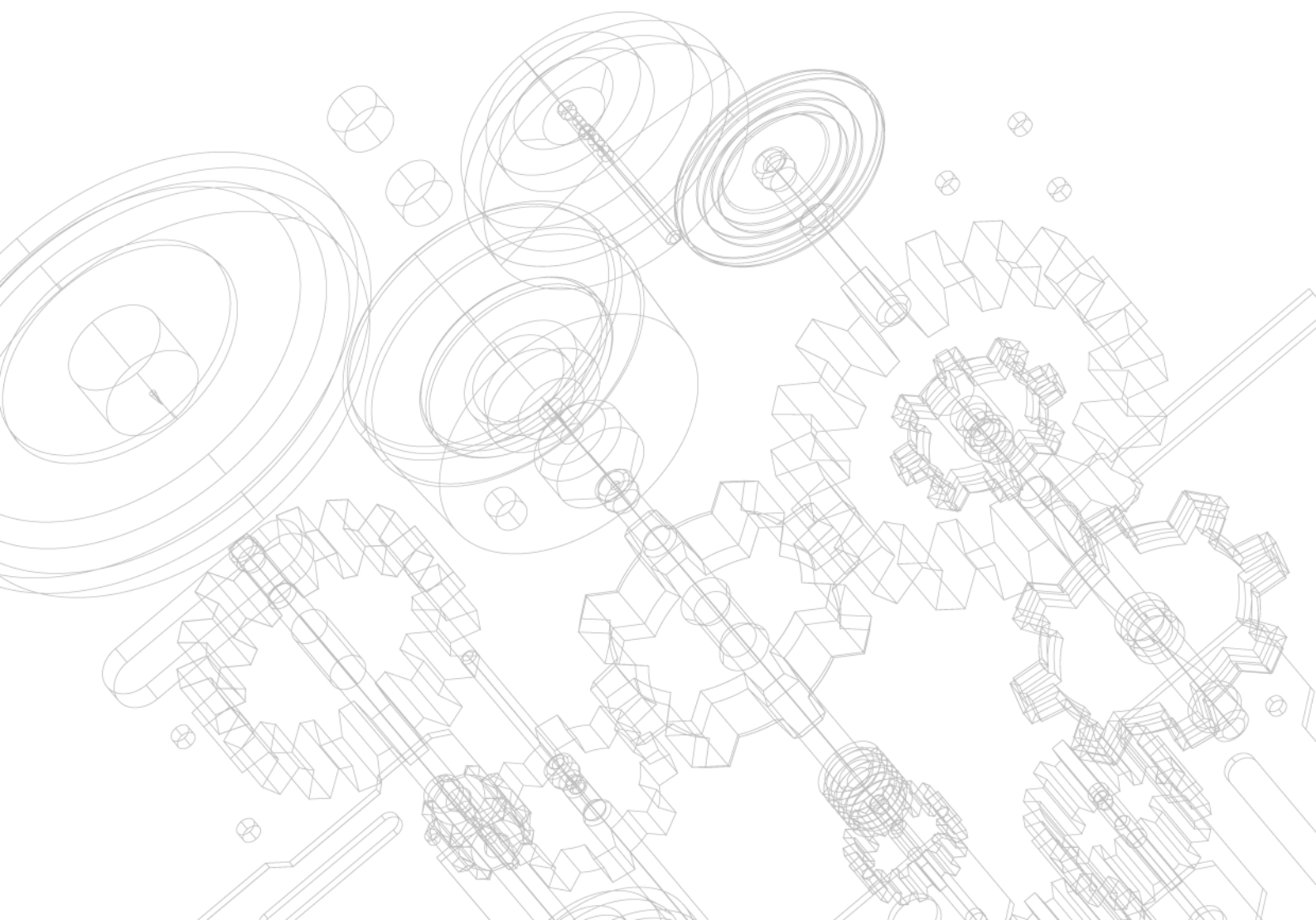




09/06/2026

TTE FINISHING



INDEX

LAST ADQUISITIONS	03
CONES / BOBINES (PREPARATION, DYEING AND DRYING)	09
DYEING (AUXILIARY MACHINERY)	10
FINISHING	11
FINISHING (AUXILIARY MACHINES)	13
FLOCK	15
GARMENT (KNITTING, WASHING, DYEING, DRYING AND FINISHING)	16
HANKS (DYEING, DRYING AND FINISHING)	17
INSPECTION, ROLLING, PACKING AND DOUBLING	18
LABORATORY	20
OPEN-WIDTH DYEING	22
PADDER / FOULARD DYEING, SQUEEZING & IMPREGNATING	23
PREPARING MACHINERY	24
PRINTING (MACHINERY AND AUXILIAR)	25
RAISING / SHEARING / EMERIZING	26
ROPE DYEING	27
ROPE OPENER / SLITTER AND ROPE OPENER	28
SEWING AND EMBROIDERY MACHINE	29
SQUEEZING (HYDROEXTRACTOR AND VACUUM)	32
STEAM BOILER / THERMIC OIL BOILER / GENERATORS	33
STEAMING & WASHING MACHINES	34
STENTER & DRYING MACHINES	35
VARIOUS	36
WEAVING	39

LAST ADQUISITIONS



Reference: AV7-006
1 JETS ATMOSPHERIC COUPLED FOR...
Year: 1999
Brand: COMIX
Width: .



Reference: AV7-007
2 JETS ATMOSPHERIC COUPLED FOR...
Year: 1999
Brand: COMIX
Width: .



Reference: AV7-031
4 GAS MAXON BURNERS
Year: 2000
Brand: Maxon
Width: .



Reference: TTR-023
ABRASION TESTER TWO PLATES
Year: .
Brand: .
Width: .



Reference: CCMA-007
AERATOR
Year: 2007
Brand: AUSTRO MAQUINAS (JANTEX)
Width: .



Reference: M-1733
CALANDER KUSTERS
Year: 1986
Brand: Kusters
Width: 2000



Reference: M-169602
COLOUR KITCHEN PREPARATION MAC...
Year: .
Brand: .
Width: .



Reference: TTR-046
CONE WINDER MACHINE
Year: 1989
Brand: KARL MAYER
Width: .



Reference: TTR-019
CROCKMETER
Year: .
Brand: Roaches
Width: .



Reference: TTR-013
CUT / PINKING MACHINE 500mm
Year: .
Brand: PIGUILLEM
Width: .



Reference: M-1732
CUT / PINKING MACHINE 500mm wi...
Year: 1999
Brand: Fite
Width: 500



Reference: TTR-009
CUT / PINKING MACHINE 800mm
Year: .
Brand: BOSCH
Width: .



Reference: M-1731
CUT / PINKING MACHINE 820mm wi...
Year: .
Brand: Fite
Width: 820



Reference: MRC-003
DATACOLOR 400 COMPLETE
Year: 2008
Brand: Datacolor
Width: .



Reference: AV7-011
DECATIZING CONTINUOUS
MACHINE
Year: 1987
Brand: Sperotto Rimar
Width: 1900



Reference: ATG-006
DRYER 30kg
Year: 1998
Brand: Maino Inox
Width: .



Reference: MRC-004
DRYING OVEN
Year: .
Brand: RAYPA
Width: .



Reference: MRC-002
DYEING CABINET
Year: 2007
Brand: GRANDIS
Width: .



Reference: JSO-001
EMBROIDERY MACHINE 12 HEADS
Year: 2005
Brand: SWF
Width: .



Reference: JSO-003
EMBROIDERY MACHINE 15 HEADS
Year: 2005
Brand: ZSK
Width: .



Reference: CCMA-001
FINISHING PADDER
Year: 2002
Brand: Bruckner
Width: 3200



Reference: CCTT-055
GUIDING DEVICE
Year: .
Brand: E+L
Width: .



Reference: TTR-003
INSPECTING TABLE WITH
COUNTER
Year: .
Brand: .
Width: 1800



Reference: MIC-061F
jacketed mix tank, 316 SS, 3...
Year: 1997
Brand: LOPIK
Width: .



Reference: MIC-060E
jacketed mix tank, 316 SS, 1.5...
Year: 1997
Brand: LOPIK
Width: .



Reference: MIC-059E
jacketed mix tank, 316 SS, 1.5...
Year: 1997
Brand: LOPIK
Width: .



Reference: MIC-061E
jacketed mix tank, 316 SS, 1.5...
Year: 1997
Brand: LOPIK
Width: .



Reference: AV7-003
JET ATMOSPHERIC 100kg
Year: 1999
Brand: COMIX
Width: .



Reference: AV7-004
JET ATMOSPHERIC 15kg
Year: 1998
Brand: Minox
Width: .



Reference: AV7-005
JET ATMOSPHERIC 30kg
Year: 1999
Brand: COMIX
Width: .



Reference: FNX2-233
Jet dyeing machine H.T. 2 ROPE
Year: 2001
Brand: MCS
Width: .



Reference: AV7-008
JIGGER ELECTRONIC D1300
Year: 2002
Brand: TVE Escala
Width: 2200



Reference: M-1662
JIGGER HIGH TEMPERATURE
3600mm
Year: 1997
Brand: MCS
Width: 3600



Reference: SAS-017
Jigger high temperature RENEWED
Year: 1982
Brand: MCS
Width: 2600



Reference: M-1712
LABORATORY STENTER
Year: .
Brand: Werner Mathis AG
Width: .



Reference: M-1719
NEEDLE WHEEL WEFT
STRAIGHTENER
Year: 1986
Brand: Corino
Width: 2000



Reference: MTB-025
PACKING MACHINE
Year: 1991
Brand: Tapalsa
Width: 2400



Reference: AV7-013
PREPARATION MACHINE
Year: 1998
Brand: Corino
Width: 2000



Reference: MUS-001
Preparator for Thickeners And ...
Year: 2005
Brand: Fimat
Width: .



Reference: MIC-059A
ROTARY CUTTER FLOCK
Year: 2005
Brand: H&H
Width: 432



Reference: MIC-060A
ROTARY CUTTER FLOCK
Year: 2005
Brand: H&H
Width: 432



Reference: MIC-061A
ROTARY CUTTER FLOCK
Year: 2005
Brand: H&H
Width: 432



Reference: AV7-021
ROTARY HIDRAULIC UNIT
Year: .
Brand: Asisa
Width: .



Reference: AV7-020
ROTARY HIDRAULIC UNIT
Year: .
Brand: Asisa
Width: .



Reference: CCTT-045
ROTATING STATION 6 POINTS
Year: .
Brand: MENZEL
Width: .



Reference: M-1702
ROTATING STATION 7 POINTS
Year: .
Brand: .
Width: .



Reference: TES-001
SANFORISING MACHINE
Year: 1991
Brand: Monforts
Width: 2100



Reference: AV7-009
SANFORISING MACHINE FOR FABRIC...
Year: 1995
Brand: MUZZI
Width: 2000



Reference: M-1709
SHEARING & CLEANING MACHINE
Year: 1990
Brand: Torres Maquinaria T xtil
Width: 3000



Reference: AV7-012
SHEARING MACHINE
Year: 1991
Brand: Lafer
Width: 2000



Reference: MIC-059D
SIEVING UNIT
Year: 2005
Brand: FUCHS
Width: .



Reference: MIC-061B
SIEVING UNIT
Year: 2005
Brand: WERKHUIZEN SCHEPENS
Width: .



Reference: MIC-060D
SIEVING UNIT
Year: 2005
Brand: FUCHS
Width: .



Reference: MIC-060C
SIEVING UNIT
Year: 2005
Brand: FUCHS
Width: .



Reference: MIC-060B
SIEVING UNIT
Year: 2005
Brand: FUCHS
Width: .



Reference: MIC-059C
SIEVING UNIT
Year: 2005
Brand: FUCHS
Width: .



Reference: MIC-059B
SIEVING UNIT
Year: 2005
Brand: FUCHS
Width: .



Reference: FNX2-216
Squeezing and finishing padder
Year: 1999
Brand: Artos
Width: 2000



Reference: LEG-002
SQUEEZING PADDER for samples.
Year: .
Brand: Bianco
Width: 400



Reference: M-1694
STABILIZATION MACHINE WITH FEL...
Year: 2011
Brand: Lafer
Width: 2400



Reference: AV7-014
STEAM BOILER 1750kg
Year: 2016
Brand: PERELLÓ I.VAR
Width: .



Reference: M-1626
STORK Coating Line Roller Widt...
Year: 1989
Brand: Stork
Width: 2000



Reference: TTR-014
TEST PILLING
Year: .
Brand: ATLAS
Width: .



Reference: M-1699
THREE-CYLINDER REFINER
Year: 1988
Brand: TALLERES MIRALLES
Width: .



Reference: M-1713
UNSTITCHING MACHINE
Year: 2001
Brand: Corino
Width: .



Reference: M-1714
UNSTITCHING MACHINE
Year: .
Brand: Bianco
Width: .



Reference: M-1670
WASHING BOX SHARK
Year: .
Brand: TVE Escalé
Width: 2000



Reference: TFN-013
WASHING MACHINE OPEN WIDTH
Year: 1998
Brand: CIMI
Width: 2000



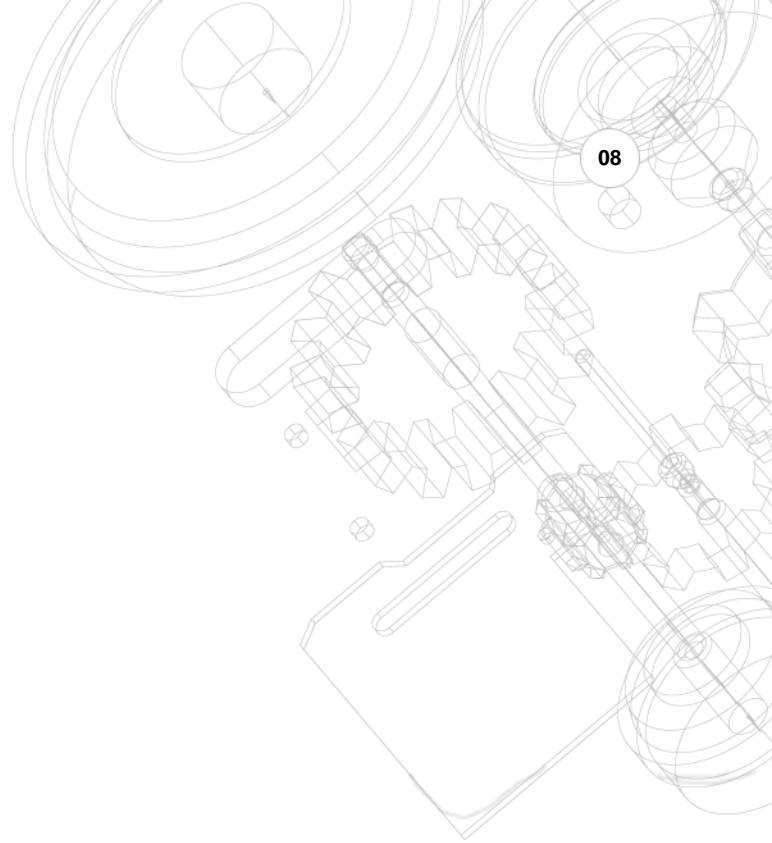
Reference: FNX2-268
WEFTSTRAIGHTENER
Year: 2000/2008
Brand: BIANCO/CORINO
Width: 2000



Reference: TTR-041
WINDER 6 cones
Year: .
Brand: Motocono
Width: .



Reference: F-6727
WUMAG water-cooled drums (2 c...
Year: 1993
Brand: Wumag
Width: 2400



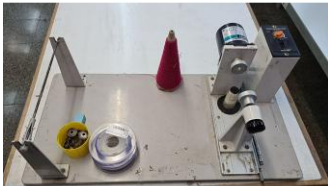
CONES / BOBINES (PREPARATION, DYEING AND DRYING)



Reference: TTR-046
CONE WINDER MACHINE
Year: 1989
Brand: KARL MAYER
Width: .



Reference: LAN-110
Dryer (Bobines)
Year: 1998
Brand: Galvanin
Width: 0



Reference: JSO-006
WINDER LABO
Year: .
Brand: .
Width: .

DYEING (AUXILIARY MACHINERY)



Reference: TAC-010
PRODUCT KITCHEN AUTOMATIC
Year: 2006
Brand: SYNESYS
Width: .



Reference: M-1274
Winding Machine on Dyeing Beam
Year: 1995
Brand: Tapa
Width: 2900



Reference: FNX2-298D
STAINLESS STEEL TANKS (2 units...
Year: .
Brand: .
Width: .

FINISHING



Reference: CCMA-005
AERATOR
Year: 1996
Brand: MONDOMIX
Width: .



Reference: CCMA-006
AERATOR
Year: .
Brand: HANSAWERKE
Width: .



Reference: CCMA-007
AERATOR
Year: 2007
Brand: AUSTRO MAQUINAS (JANTEX)
Width: .



Reference: APR-002
CALANDER 3 BOWLS
Year: .
Brand: Kleinewefers
Width: 1700



Reference: M-1733
CALANDER KUSTERS
Year: 1986
Brand: Kusters
Width: 2000



Reference: M-1679
CALENDAR FOR LAMINATION
Year: 2002
Brand: BERGI
Width: 1900



Reference: FNX2-211
COATING HEAD
Year: 1993
Brand: ROLLMAC
Width: 1800



Reference: FNX-249
COMPACTOR
Year: 1999
Brand: Sperotto Rimar
Width: 2400



Reference: AV7-011
DECATIZING MACHINE CONTINUOUS
Year: 1987
Brand: Sperotto Rimar
Width: 1900



Reference: M-1669
KISS ROLL COATING HEAD
Year: 1989
Brand: ISOTEX
Width: 2200



Reference: TES-001
SANFORISING MACHINE
Year: 1991
Brand: Monforts
Width: 2100



Reference: AV7-009
SANFORISING MACHINE FOR FABRIC...
Year: 1995
Brand: MUZZI
Width: 2000



Reference: AV7-012
SHEARING MACHINE
Year: 1991
Brand: Lafer
Width: 2000



Reference: ARG-001
SINGEING AND PAD-BATCH
Year: 1990
Brand: Fite
Width: 2000



Reference: M-1694
STABILIZATION MACHINE WITH
FEL...
Year: 2011
Brand: Lafer
Width: 2400



Reference: M-1401
Tumbler discontinuous
Year: 1990
Brand: Anglada
Width: .

FINISHING (AUXILIARY MACHINES)



Reference: MIC-033A
ACUMULATOR 66 meters
Year: 1996
Brand: MATTHYS
Width: 2000



Reference: ACA-036S
BIG BATCHER TANGENCIAL
Year: .
Brand: .
Width: 2200



Reference: SDS-005
BIG-BATCHER FOR A-FRAME
Year: .
Brand: .
Width: 2100



Reference: SDS-006
BIG-BATCHER FOR A-FRAME
Year: .
Brand: .
Width: 2200



Reference: TIR-010
BRUSHING UNIT FABRIC
MOTORIZED...
Year: 2001
Brand: A&B GROUP (ALBATECH
BINOVA)



Reference: FNX2-345
BURSTING STRENGTH TESTER
Year: 1994
Brand: TMI
Width: .



Width: 3600
Reference: M-1672
CENTERING DEVICE
Year: .
Brand: Tapalsa
Width: .



Reference: ACA-0360
CENTERING DEVICE WITH FLUO
Year: .
Brand: Bianco
Width: 2200



Reference: M-169602
COLOUR KITCHEN PREPARATION
MAC...
Year: .
Brand: .
Width: .



Reference: FNX2-250
DOSING FOAM PUMP
Year: 1998
Brand: ROLLMAC
Width: .



Reference: TIR-007
FREE-RUNNING ROLLER BED
Year: .
Brand: .
Width: 3800



Reference: CCTT-055
GUIDING DEVICE
Year: .
Brand: E+L
Width: .



Reference: SDS-002
J-BOX
Year: 1995
Brand: Samit
Width: 2400



Reference: MIC-070L
LAY ROLL CYLINDER
Year: 2006
Brand: DE MEYER
Width: 2000



Reference: M-1719
NEEDLE WHEEL WEFT
STRAIGHTENER
Year: 1986
Brand: Corino
Width: 2000



Reference: AV7-021
ROTARY HIDRAULIC UNIT
Year: .
Brand: Asisa
Width: .



Reference: CCTT-049
ROTARY HYDRAULIC UNIT 4kw
Year: .
Brand: .
Width: ..



Reference: MIC-031
PRODUCT KITCHEN 4 TANKS
Year: 2008
Brand: .
Width: .



Reference: AV7-020
ROTARY HIDRAULIC UNIT
Year: .
Brand: Asisa
Width: .



Reference: CCTT-052
ROTARY HYDRAULIC UNIT 4kw
Year: .
Brand: .
Width: .



Reference: CCTT-045
ROTATING STATION 6 POINTS
Year: .
Brand: MENZEL
Width: .



Reference: M-1702
ROTATING STATION 7 POINTS
Year: .
Brand: .
Width: .



Reference: M-1636
STEAM CYLINDER FOR
SANFORIZING LINE
Year: 2015
Brand: Tapa
Width: 1800



Reference: DIV-002
Weft straightener
Year: 1986
Brand: Bianco
Width: 1800



Reference: M-1340
Weft straightener
Year: 1988
Brand: Mahlo
Width: 2400



Reference: M-1271
Weft straightener
Year: 1987
Brand: Mahlo
Width: 2000



Reference: FNX2-268
WEFTSTRAIGHTENER
Year: 2000/2008
Brand: BIANCO/CORINO
Width: 2000

FLOCK



Reference: MIC-059A
ROTARY CUTTER FLOCK
Year: 2005
Brand: H&H
Width: 432



Reference: MIC-060A
ROTARY CUTTER FLOCK
Year: 2005
Brand: H&H
Width: 432



Reference: MIC-061A
ROTARY CUTTER FLOCK
Year: 2005
Brand: H&H
Width: 432



Reference: MIC-059B
SIEVING UNIT
Year: 2005
Brand: FUCHS
Width: .



Reference: MIC-059C
SIEVING UNIT
Year: 2005
Brand: FUCHS
Width: .



Reference: MIC-059D
SIEVING UNIT
Year: 2005
Brand: FUCHS
Width: .



Reference: MIC-060B
SIEVING UNIT
Year: 2005
Brand: FUCHS
Width: .



Reference: MIC-060C
SIEVING UNIT
Year: 2005
Brand: FUCHS
Width: .



Reference: MIC-060D
SIEVING UNIT
Year: 2005
Brand: FUCHS
Width: .



Reference: MIC-061B
SIEVING UNIT
Year: 2005
Brand: WERKHUIZEN SCHEPENS
Width: .



Reference: MIC-2650
TEST SIEVE SHAKER
Year: .
Brand: W. S. TYLER
Width: .

GARMENT (KNITTING, WASHING, DYEING, DRYING AND FINISHING)



Reference: ATG-005
DRYER 30kg
Year: 1998
Brand: Maino Inox
Width: .



Reference: ATG-006
DRYER 30kg
Year: 1998
Brand: Maino Inox
Width: .



Reference: LLP-018
DRYER ROTATIVE Ø 1000 mm * 635 mm
Year: 2001
Brand: DOMUS
Width: .



Reference: JSO-012
TISSUE MARKING AND CUTTING
LAS...
Year: 2002
Brand: INTERLAS TECHNOLOGY
Width: .



Reference: JSO-013
TISSUE MARKING AND CUTTING
LAS...
Year: 1998
Brand: RICAMAR
Width: .



Reference: JSO-015
TRANSFER
Year: .
Brand: ALIVERTI
Width: .



Reference: JSO-017
TRANSFER
Year: .
Brand: KOMA-TECH
Width: .



Reference: CSS-002
TUMBLER DRYER
Year: 2006
Brand: Girbau
Width: .

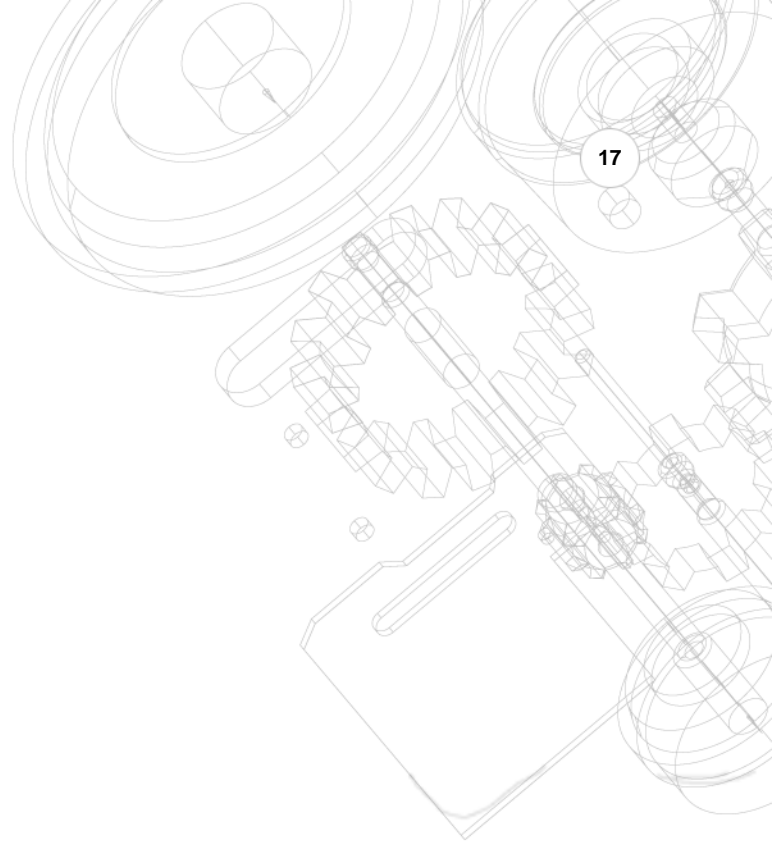


Reference: JSO-014
WASHING MACHINE PERCLORO
Year: .
Brand: Silc
Width: .

HANKS (DYEING, DRYING AND FINISHING)



Reference: MRC-002
DYEING CABINET
Year: 2007
Brand: GRANDIS
Width: .



INSPECTION, ROLLING, PACKING AND DOUBLING



Reference: M-1553
Inspecting and Rolling Machine
Year: .
Brand: .
Width: 2000



Reference: MIC-037
Inspecting and Rolling Machine
Year: 1997
Brand: MATTHYS
Width: 2000



Reference: SDT-020
Inspecting and Rolling Machine
Year: 1989
Brand: Offri
Width: 2200



Reference: M-1634
Inspecting and Rolling Machine
Year: .
Brand: Macotex
Width: 2000



Reference: TTR-003
INSPECTING TABLE WITH
COUNTER
Year: .
Brand: .
Width: 1800



Reference: LVS-002
PACKING MACHINE
Year: .
Brand: CIPRO
Width: .



Reference: LVS-001
PACKING MACHINE
Year: .
Brand: IM2
Width: .



Reference: MTB-025
PACKING MACHINE
Year: 1991
Brand: Tapalsa
Width: 2400



Reference: QTX-006
ROLLING MACHINE
Year: 2005
Brand: STI SERVIZI TECNICI
INTEGRATI
Width: 1940



Reference: QTX-007
ROLLING MACHINE
Year: 2004
Brand: STI SERVIZI TECNICI
INTEGRATI
Width: 1940



Reference: TXD-035
Rolling Machine 1000mm
Year: .
Brand: Massana
Width: 1000



Reference: TXD-036
Rolling Machine 1000mm
Year: .
Brand: Massana
Width: 1000



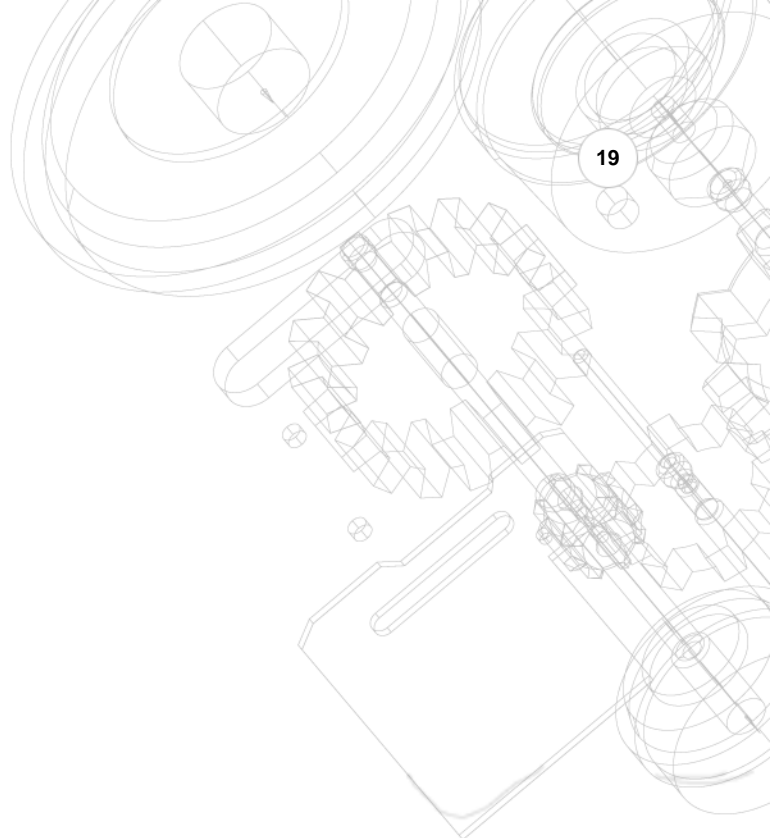
Reference: QTX-009
UNROLLING MACHINE
Year: 2005
Brand: STI SERVIZI TECNICI
INTEGRATI
Width: 1940



Reference: QTX-010
UNROLLING MACHINE
Year: 2005
Brand: STI SERVIZI TECNICI
INTEGRATI
Width: 1940



Reference: QTX-008
UNROLLING MACHINE
Year: 2005
Brand: STI SERVIZI TECNICI
INTEGRATI
Width: 1940



LABORATORY



Reference: TTR-023
 ABRASION TESTER TWO PLATES
 Year: .
 Brand: .
 Width: .



Reference: TTE-18
 Beam shrinking samples with steam
 Year: .
 Brand: Wira
 Width: 0



Reference: TTR-019
 CROCKMETER
 Year: .
 Brand: Roaches
 Width: .



Reference: FNX2-337
 CROCKMETER MANUAL
 Year: .
 Brand: ATLAS
 Width: .



Reference: TTR-013
 CUT / PINKING MACHINE 500mm
 Year: .
 Brand: PIGUILLEM
 Width: .



Reference: M-1732
 CUT / PINKING MACHINE 500mm
 wi...
 Year: 1999
 Brand: Fite
 Width: 500



Reference: TTR-009
 CUT / PINKING MACHINE 800mm
 Year: .
 Brand: BOSCH
 Width: .



Reference: M-1731
 CUT / PINKING MACHINE 820mm
 wi...
 Year: .
 Brand: Fite
 Width: 820



Reference: MRC-003
 DATACOLOR 400 COMPLETE
 Year: 2008
 Brand: Datacolor
 Width: .



Reference: MRC-004
 DRYING OVEN
 Year: .
 Brand: RAYPA
 Width: .



Reference: ACA-240
 JIGGER Laboratory
 Year: .
 Brand: Ernst Benz
 Width: 500



Reference: CTB-108
 laboratory sample dyer for cones
 Year: 1993
 Brand: Ugolini
 Width: .



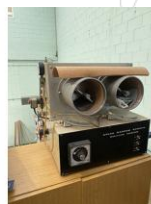
Reference: M-1712
 LABORATORY STENTER
 Year: .
 Brand: Werner Mathis AG
 Width: .



Reference: MIC-005
 LABORATORY WASHING MACHINE
 Year: 1997
 Brand: IPSO International
 Width: .



Reference: LEG-002
SQUEEZING PADDER for samples.
Year: .
Brand: Bianco
Width: 400



Reference: TTR-014
TEST PILLING
Year: .
Brand: ATLAS
Width: .



Reference: M-1590
ULTRASONICS POWER CLEANING
Year: .
Brand: TELSONIC
Width: .

OPEN-WIDTH DYEING



Reference: AV7-008
JIGGER ELECTRONIC D1300
Year: 2002
Brand: TVE Escalé
Width: 2200



Reference: M-1662
JIGGER HIGH TEMPERATURE
3600mm
Year: 1997
Brand: MCS
Width: 3600



Reference: SAS-017
Jigger high temperature RENEWED
Year: 1982
Brand: MCS
Width: 2600



Reference: CCM-023
PROGRAMMER PCS 200FZ
Year: .
Brand: Kusters
Width: .



Reference: CR-1000
PUMP 75kw WITH CAUDALIMETER
FO...
Year: 1999
Brand: Thies
Width: .

PADDER / FOULARD DYEING, SQUEEZING & IMPREGNATING



Reference: CCMA-001
FINISHING PADDER
Year: 2002
Brand: Bruckner
Width: 3200



Reference: MTB-021
IMPREGNATION PADDER
Year: .
Brand: Tapa
Width: 2000



Reference: CC0015
Squeezing and finishing padder
Year: 1983
Brand: Benguerel
Width: 2400



Reference: M-1002
Squeezing and finishing padder
Year: 1988
Brand: Artos
Width: 2200



Reference: FNX2-216
Squeezing and finishing padder
Year: 1999
Brand: Artos
Width: 2000



Reference: CC0087
Squeezing padder
Year: 1999
Brand: Intes
Width: 2000



Reference: CR-039C
Squeezing padder
Year: 1990
Brand: Kusters
Width: 2400

PREPARING MACHINERY



Reference: AV7-013
PREPARATION MACHINE
Year: 1998
Brand: Corino
Width: 2000



Reference: QTX-001
Preparation Machine A-Frame
Year: 1996
Brand: Tapalsa
Width: 1900

PRINTING (MACHINERY AND AUXILIAR)



Reference: QTX-012
 DRYING ELECTRIC MACHINE
 Year: 2004
 Brand: STI SERVIZI TECNICI INTEGRATI
 Width: 1800mm util



Reference: QTX-011
 DRYING ELECTRIC MACHINE
 Year: 2005
 Brand: STI SERVIZI TECNICI INTEGRATI
 Width: 1800mm util



Reference: M-1613
 Fibers remove machine for prin...
 Year: .
 Brand: Stork
 Width: 2000



Reference: EST-07A
 FLAT BELT PRINTING MACHINE (SP...
 Year: 1998
 Brand: MS
 Width: .



Reference: MIC-002A
 MIXER 7.5KW
 Year: 2004
 Brand: .
 Width: .



Reference: M-1497
 Mixer Small Colour Tanks
 Year: 1982
 Brand: Vanwyk
 Width: .



Reference: MIC-002D
 Paste Kitchen with 5 storage t...
 Year: .
 Brand: .
 Width: .



Reference: M-1659
 Preparator for Thickeners And ...
 Year: 2004
 Brand: Fimat
 Width: .



Reference: MUS-001
 Preparator for Thickeners And ...
 Year: 2005
 Brand: Fimat
 Width: .



Reference: M-1626
 STORK Coating Line Roller Widt...
 Year: 1989
 Brand: Stork
 Width: 2000



Reference: MIC-002E
 TANK for paste Ø 1.250 x h 1...
 Year: .
 Brand: .
 Width: .



Reference: MIC-003A
 TANK for paste Ø 1.250 x h 1...
 Year: .
 Brand: .
 Width: .



Reference: M-1699
 THREE-CYLINDER REFINER
 Year: 1988
 Brand: TALLERES MIRALLES
 Width: .



Reference: MIC-002B
 VAN WYK Filter for paste
 Year: 1986
 Brand: Vanwyk
 Width: .

RAISING / SHEARING / EMERIZING



Reference: TIP-097
Compactor For Dust
Year: 1996
Brand: Lossatex
Width: -



Reference: CV08
Emerizing machine
Year: 1990
Brand: Torres
Width: 1900



Reference: M-1487
Emerizing Machine
Year: 1997
Brand: Stamperia Emiliana
Width: 1900



Reference: M-1709
SHEARING & CLEANING MACHINE
Year: 1990
Brand: Torres Maquinaria Tèxtil
Width: 3000



Reference: MEL-220
SHEARING MACHINES ONE
CUTTING HEAD
Year: 1997
Brand: Torres Maquinaria Tèxtil
Width: 1800

ROPE DYEING



Reference: AV7-006
1 JETS ATMOSPHERIC COUPLED
FOR...
Year: 1999
Brand: COMIX
Width: .



Reference: AV7-007
2 JETS ATMOSPHERIC COUPLED
FOR...
Year: 1999
Brand: COMIX
Width: .



Reference: AV7-003
JET ATMOSPHERIC 100kg
Year: 1999
Brand: COMIX
Width: .



Reference: AV7-004
JET ATMOSPHERIC 15kg
Year: 1998
Brand: Minox
Width: .



Reference: AV7-005
JET ATMOSPHERIC 30kg
Year: 1999
Brand: COMIX
Width: .



Reference: CR-103
Jet dyeing machine H.T.
Year: 2005
Brand: MCS
Width: 0



Reference: NES-002
Jet dyeing machine H.T.
Year: 1988
Brand: MCS
Width: .



Reference: FN2-233
Jet dyeing machine H.T. 2 ROPE
Year: 2001
Brand: MCS
Width: .



Reference: ACA-241
Laboratory Winch for samples 3...
Year: .
Brand: .
Width: .



Reference: TIP-026
Oval Dye Machine
Year: -
Brand: Maino Inox
Width: -

ROPE OPENER / SLITTER AND ROPE OPENER



Reference: FNX2-244
DETWISTING MACHINE
Year: 2000
Brand: Corino
Width: 2200



Reference: LFO-001
Rope opener machine
Year: 1990
Brand: Bianco
Width: 2000



Reference: M-1713
UNSTITCHING MACHINE
Year: 2001
Brand: Corino
Width: .



Reference: M-1714
UNSTITCHING MACHINE
Year: .
Brand: Bianco
Width: .

SEWING AND EMBROIDERY MACHINE



Reference: BOR-002
Embroidering 6 heads
Year: 2004
Brand: FEIYA
Width: .



Reference: BOR-001
Embroidering 6 heads
Year: 2003
Brand: FEIYA
Width: .



Reference: BOR-003
Embroidering 6 heads
Year: 2003
Brand: FEIYA
Width: .



Reference: BOR-004
Embroidering 6 heads
Year: 2003
Brand: FEIYA
Width: .



Reference: JSO-001
EMBROIDERY MACHINE 12 HEADS
Year: 2005
Brand: SWF
Width: .



Reference: JSO-003
EMBROIDERY MACHINE 15 HEADS
Year: 2005
Brand: ZSK
Width: .



Reference: SDT-022
OPEN-WIDTH TESTA SEWING
MACHINE
Year: .
Brand: Merrow
Width: 2400



Reference: CUM-113
Sewing Machine
Year: .
Brand: Lewis
Width: .



Reference: CUM-104
Sewing Machine
Year: .
Brand: Rimoldi
Width: .



Reference: CUM-070
Sewing Machine
Year: .
Brand: Ching Chi
Width: .



Reference: CUM-039
Sewing Machine
Year: .
Brand: Sigma
Width: .



Reference: CUM-189
Sewing Machine
Year: .
Brand: Rimoldi
Width: .



Reference: M-1334
Sewing machine
Year: .
Brand: PFAF
Width: 0



Reference: M-1335
Sewing machine
Year: .
Brand: PFAF
Width: 0



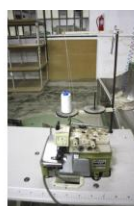
Reference: M-1336
sewing machine
Year: .
Brand: PFAF
Width: 0



Reference: M-1337
Sewing machine
Year: .
Brand: PFAF
Width: 0



Reference: ACT-004
Sewing machine
Year: .
Brand: WILLIAM BIRCH
Width: .



Reference: EST-36
Sewing machine (electric)
Year: .
Brand: Siruba
Width: .



Reference: EST-37
Sewing machine (electric)
Year: .
Brand: Brother
Width: .



Reference: EST-35
Sewing machine (electric)
Year: .
Brand: Brother
Width: .



Reference: EST-33
Sewing machine (electric)
Year: .
Brand: Singer
Width: .



Reference: M-1331
Sewing machine (electric)
Year: .
Brand: Gubtor
Width: 0



Reference: M-1330
Sewing machine (electric)
Year: .
Brand: Gubtor
Width: 0



Reference: TTE-16
Sewing machine 3 threads
Year: .
Brand: Siruba
Width: 0



Reference: ESC57
Sewing machine electric 3 threads
Year: .
Brand: Siruba
Width: 0



Reference: TC-034B
Sewing machine electric 3 threads
Year: .
Brand: Brother
Width: .



Reference: TC-034C
Sewing machine electric 3 threads
Year: .
Brand: Brother
Width: .



Reference: TC-034A
Sewing machine electric 3 threads
Year: .
Brand: Brother
Width: .



Reference: ESC60
Sewing machine electric 3 threads
Year: .
Brand: .
Width: 0



Reference: M-1325
Sewing machine pneumatic
Year: .
Brand: Romert
Width: 0



Reference: JSO-007
THREAD BOBBIN MAKING
MACHINE
Year: .
Brand: .
Width: .

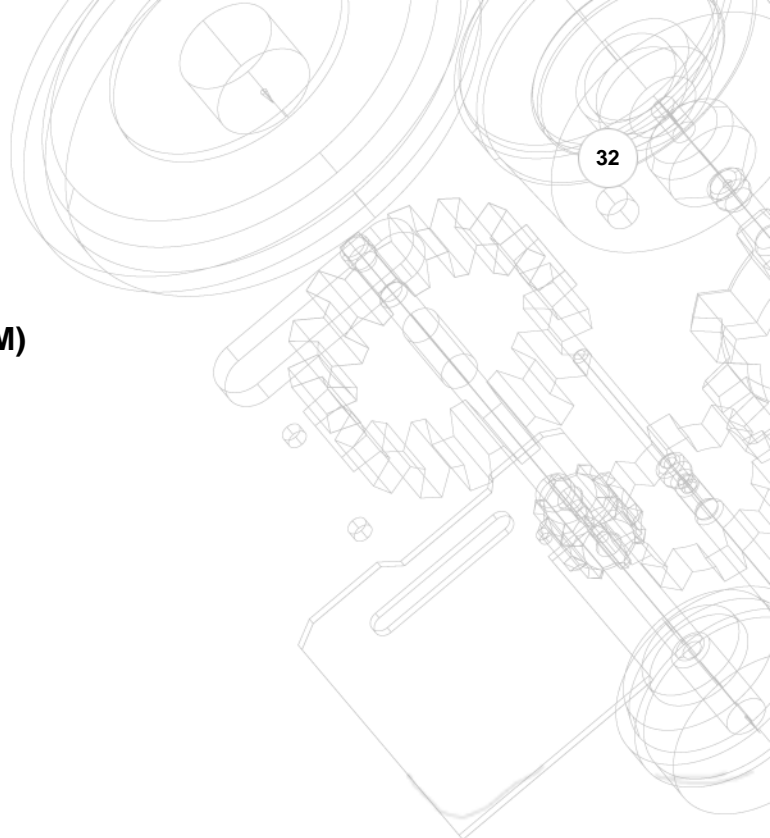


Reference: JSO-008
THREAD STEAMER
Year: .
Brand: .
Width: .

SQUEEZING (HYDROEXTRACTOR AND VACUUM)



Reference: M-869
Hydroextractor D1500*450mm
Year: 2005
Brand: Becherini
Width: 0



STEAM BOILER / THERMIC OIL BOILER / GENERATORS



Reference: DIV-003
BURNER FUEL
Year: 1996
Brand: ROCA
Width: .



Reference: LUI-024
Heat Exchanger
Year: 1981
Brand: Alfa-Laval
Width: .



Reference: MIC-070B
HOT WATER GENERATOR
Year: 2006
Brand: FRICONTROL
Width: .



Reference: CUM-211
Steam Boiler
Year: .
Brand: Giconmes
Width: .



Reference: AV7-014
STEAM BOILER 1750kg
Year: 2016
Brand: PERELLÓ I.VAR
Width: .



Reference: RGR-002
THERMIC OIL BOILER
Year: 1985
Brand: Pirobloc
Width: .



Reference: SDS-011
THERMIC OIL TEMPERATURE
REGULA...
Year: .
Brand: .
Width: .



Reference: SDS-012
THERMIC OIL TEMPERATURE
REGULA...
Year: .
Brand: .
Width: .

STEAMING & WASHING MACHINES



Reference: M-1161
Steamer
Year: 2004
Brand: CCMT
Width: 0



Reference: M-1670
WASHING BOX SHARK
Year: .
Brand: TVE Escale
Width: 2000



Reference: TFN-013
WASHING MACHINE OPEN WIDTH
Year: 1998
Brand: CIMI
Width: 2000

STENTER & DRYING MACHINES



Reference: CCM-027
12 intermediate ARTOS guide + ...
Year: .
Brand: Artos
Width: .



Reference: AV7-031
4 GAS MAXON BURNERS
Year: 2000
Brand: Maxon
Width: .



Reference: ACA-036E
CHAIN FAMATEX PIN (60 meters)
Year: .
Brand: Famatex
Width: .



Reference: M-1635
CHAIN PIN AND CLIP ARTOS
COMPL...
Year: .
Brand: Artos
Width: .



Reference: M-1450
Chain Vertical stenter
Year: .
Brand: Bruckner
Width: .



Reference: ACA-036P
GLUING DEVICE
Year: .
Brand: Famatex
Width: .



Reference: ACA-036L
GUIDES CHAIN FOR FAMATEX
Year: .
Brand: Famatex
Width: .



Reference: M-1579
IMPREGNATION AND DRYING LINE
Year: 2004
Brand: Tapa
Width: 2000



Reference: ABA-001
Infrared
Year: 1989
Brand: Kromshroeder
Width: 2400



Reference: CCT-001
INFRARED
Year: 1995
Brand: Bruckner
Width: 2100



Reference: ACA-036M
SPEED CONTROL WITH 10
INVERTER...
Year: .
Brand: .
Width: .



Reference: ACA-036K
THERMIC OIL BOILERS FAMATEX
(5...
Year: .
Brand: Famatex
Width: .



Reference: F-6727
WUMAG water-cooled drums (2 c...
Year: 1993
Brand: Wumag
Width: 2400

VARIOUS



Reference: CTB-157A
AIR COMPRESSOR 18.5KW
Year: 1998
Brand: Ingersollrand
Width: .



Reference: MTB-066
BRIDGE CRANE 2.5Ton
Year: 2003
Brand: VERLINDE
Width: .



Reference: TPL-022
Compressor
Year: 1997
Brand: Air Pack
Width: .



Reference: TPL-020
Compressor
Year: 1997
Brand: Air Pack
Width: .



Reference: M-929
Compressor scREW
Year: 1992
Brand: Eco Air
Width: .



Reference: CUM-157
Cut Manual
Year: .
Brand: Pacer
Width: .



Reference: CUM-158
Cut Manual
Year: .
Brand: Pacer
Width: .



Reference: CUM-161
Cut Manual
Year: .
Brand: Singer
Width: .



Reference: CUM-192
Cut Manual
Year: .
Brand: Pacer
Width: .



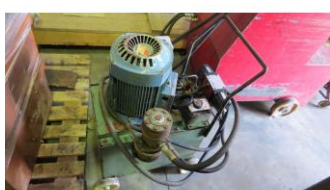
Reference: M-1501
Dryer Air Compressed
Year: .
Brand: Chaumecca Iberica
Width: .



Reference: COT-001
Fume Hood
Year: .
Brand: .
Width: .



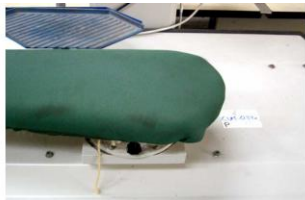
Reference: BLY-026
HEATING BOILER
Year: 1997
Brand: Savio
Width: .



Reference: TPA-062
Hydraulic Unit
Year: .
Brand: Tapa
Width: .



Reference: CUM-024
Iron Industrial Machine
Year: -
Brand: Pantex
Width: -



Reference: CUM-034
Iron Industrial Machine
Year: 1998
Brand: Primula
Width: -



Reference: CUM-196
Iron Industrial Machine
Year: .
Brand: Giconmes
Width: .



Reference: MIC-061F
jacketed mix tank, 316 SS, 3...
Year: 1997
Brand: LOPIK
Width: .



Reference: MIC-059E
jacketed mix tank, 316 SS, 1.5...
Year: 1997
Brand: LOPIK
Width: .



Reference: MIC-060E
jacketed mix tank, 316 SS, 1.5...
Year: 1997
Brand: LOPIK
Width: .



Reference: MIC-061E
jacketed mix tank, 316 SS, 1.5...
Year: 1997
Brand: LOPIK
Width: .



Reference: F-6501
LIFTER
Year: 2000
Brand: BT
Width: .



Reference: M-1585
SCALE 11kg
Year: .
Brand: JADEVER
Width: .



Reference: EST-31
Scale 150kg
Year: .
Brand: Mobba
Width: .



Reference: EST-30
Scale 150kg
Year: .
Brand: Mobba
Width: .



Reference: EST-32
Scale 30kg
Year: .
Brand: Mobba
Width: .



Reference: M-1588
SCALE 60kg
Year: .
Brand: TOLEDO
Width: .



Reference: AZC-035
SCALE 60kg
Year: .
Brand: Sartorius
Width: .



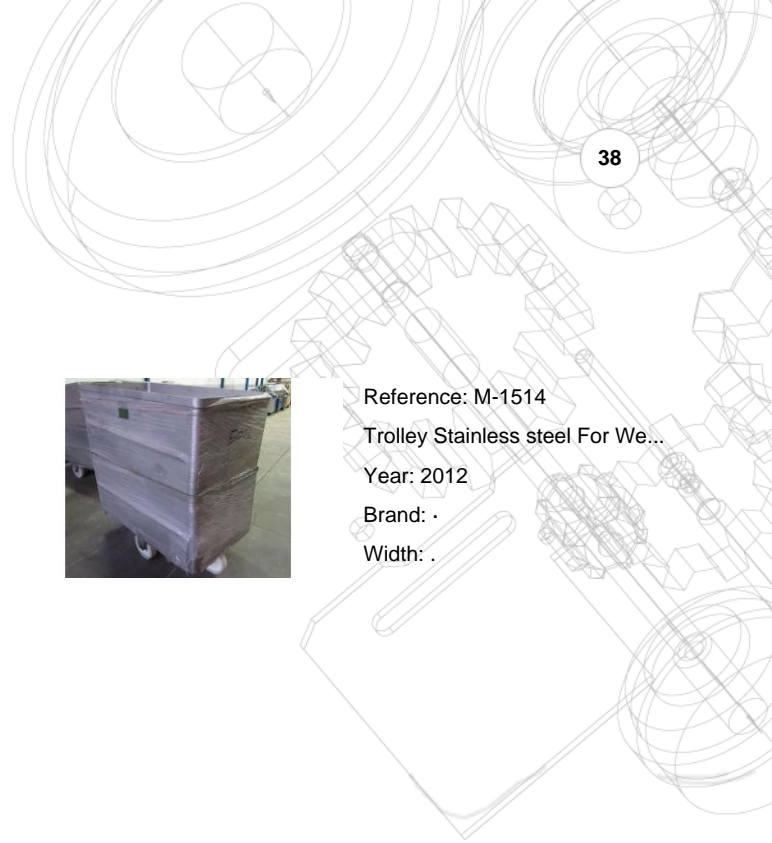
Reference: LUI-159
Scales Platform 60kg
Year: -
Brand: .
Width: -



Reference: MIC-0700
TANK 3500 liters
Year: 1997
Brand: CHEMICAL STORAGE
ENGINEERING
Width: .



Reference: M-1514
Trolley Stainless steel For We...
Year: 2012
Brand: .
Width: .



WEAVING



Reference: TTR-041

WINDER 6 conos

Year: .

Brand: Motocono

Width: .



For more machines and pictures you can visit our web site:

WWW.COMERCIALCATALANA.COM

We also have available:

- Dyeing / Squeezing and impregnating padder
- Inspection, rolling and packing machines
- Hydroextractors
- Winding for beam dyeing
- A-frames diferent width
- Escales
- Laboratory equipment
- Screw compressors and air dryer
- Sewing machines
- Open width sewing machines
- Hydraulics unit
- Poliester tanks for water and liquid salt
- Stainles steel tanks, diferent capacities
- Water treatment
- Land filters
- Metallic racks
- Electric fork lifts
- Reparation and maintenance service
- New TECNOLOGIES for finishing and dyeing machinery

See our Technology section within our web site www.comercialcatalana.com