



09/06/2026

# **LLP- SOCKS PRODUCTION MACHINERY**



## INDEX

<b>LAST ADQUISITIONS</b> .....	<b>03</b>
<b>CONES / BOBINES (PREPARATION, DYEING AND DRYING)</b> .....	<b>09</b>
<b>DYEING (AUXILIARY MACHINERY)</b> .....	<b>10</b>
<b>FINISHING</b> .....	<b>11</b>
<b>FINISHING (AUXILIARY MACHINES)</b> .....	<b>13</b>
<b>FLOCK</b> .....	<b>15</b>
<b>GARMENT (KNITTING, WASHING, DYEING, DRYING AND FINISHING)</b> .....	<b>16</b>
<b>HANKS (DYEING, DRYING AND FINISHING)</b> .....	<b>17</b>
<b>INSPECTION, ROLLING, PACKING AND DOUBLING</b> .....	<b>18</b>
<b>LABORATORY</b> .....	<b>20</b>
<b>OPEN-WIDTH DYEING</b> .....	<b>22</b>
<b>PADDER / FOULARD DYEING, SQUEEZING &amp; IMPREGNATING</b> .....	<b>23</b>
<b>PREPARING MACHINERY</b> .....	<b>24</b>
<b>PRINTING (MACHINERY AND AUXILIAR)</b> .....	<b>25</b>
<b>RAISING / SHEARING / EMERIZING</b> .....	<b>26</b>
<b>ROPE DYEING</b> .....	<b>27</b>
<b>ROPE OPENER / SLITTER AND ROPE OPENER</b> .....	<b>28</b>
<b>SEWING AND EMBROIDERY MACHINE</b> .....	<b>29</b>
<b>SQUEEZING (HYDROEXTRACTOR AND VACUUM)</b> .....	<b>32</b>
<b>STEAM BOILER / THERMIC OIL BOILER / GENERATORS</b> .....	<b>33</b>
<b>STEAMING &amp; WASHING MACHINES</b> .....	<b>34</b>
<b>STENTER &amp; DRYING MACHINES</b> .....	<b>35</b>
<b>VARIOUS</b> .....	<b>36</b>
<b>WEAVING</b> .....	<b>39</b>

## LAST ADQUISITIONS



Reference: AV7-006  
1 JETS ATMOSPHERIC COUPLED FOR...  
Year: 1999  
Brand: COMIX  
Width: .



Reference: AV7-007  
2 JETS ATMOSPHERIC COUPLED FOR...  
Year: 1999  
Brand: COMIX  
Width: .



Reference: AV7-031  
4 GAS MAXON BURNERS  
Year: 2000  
Brand: Maxon  
Width: .



Reference: TTR-023  
ABRASION TESTER TWO PLATES  
Year: .  
Brand: .  
Width: .



Reference: CCMA-007  
AERATOR  
Year: 2007  
Brand: AUSTRO MAQUINAS (JANTEX)  
Width: .



Reference: M-1733  
CALANDER KUSTERS  
Year: 1986  
Brand: Kusters  
Width: 2000



Reference: M-169602  
COLOUR KITCHEN PREPARATION MAC...  
Year: .  
Brand: .  
Width: .



Reference: TTR-046  
CONE WINDER MACHINE  
Year: 1989  
Brand: KARL MAYER  
Width: .



Reference: TTR-019  
CROCKMETER  
Year: .  
Brand: Roaches  
Width: .



Reference: TTR-013  
CUT / PINKING MACHINE 500mm  
Year: .  
Brand: PIGUILLEM  
Width: .



Reference: M-1732  
CUT / PINKING MACHINE 500mm wi...  
Year: 1999  
Brand: Fite  
Width: 500



Reference: TTR-009  
CUT / PINKING MACHINE 800mm  
Year: .  
Brand: BOSCH  
Width: .



Reference: M-1731  
CUT / PINKING MACHINE 820mm wi...  
Year: .  
Brand: Fite  
Width: 820



Reference: MRC-003  
DATACOLOR 400 COMPLETE  
Year: 2008  
Brand: Datacolor  
Width: .



Reference: AV7-011  
DECATIZING CONTINUOUS MACHINE  
Year: 1987  
Brand: Sperotto Rimar  
Width: 1900



Reference: ATG-006  
DRYER 30kg  
Year: 1998  
Brand: Maino Inox  
Width: .



Reference: MRC-004  
DRYING OVEN  
Year: .  
Brand: RAYPA  
Width: .



Reference: MRC-002  
DYEING CABINET  
Year: 2007  
Brand: GRANDIS  
Width: .



Reference: JSO-001  
EMBROIDERY MACHINE 12 HEADS  
Year: 2005  
Brand: SWF  
Width: .



Reference: JSO-003  
EMBROIDERY MACHINE 15 HEADS  
Year: 2005  
Brand: ZSK  
Width: .



Reference: CCMA-001  
FINISHING PADDER  
Year: 2002  
Brand: Bruckner  
Width: 3200



Reference: CCTT-055  
GUIDING DEVICE  
Year: .  
Brand: E+L  
Width: .



Reference: TTR-003  
INSPECTING TABLE WITH COUNTER  
Year: .  
Brand: .  
Width: 1800



Reference: MIC-061F  
jacketed mix tank, 316 SS, 3...  
Year: 1997  
Brand: LOPIK  
Width: .



Reference: MIC-060E  
jacketed mix tank, 316 SS, 1.5...  
Year: 1997  
Brand: LOPIK  
Width: .



Reference: MIC-059E  
jacketed mix tank, 316 SS, 1.5...  
Year: 1997  
Brand: LOPIK  
Width: .



Reference: MIC-061E  
jacketed mix tank, 316 SS, 1.5...  
Year: 1997  
Brand: LOPIK  
Width: .



Reference: AV7-003  
JET ATMOSPHERIC 100kg  
Year: 1999  
Brand: COMIX  
Width: .



Reference: AV7-004  
JET ATMOSPHERIC 15kg  
Year: 1998  
Brand: Minox  
Width: .



Reference: AV7-005  
JET ATMOSPHERIC 30kg  
Year: 1999  
Brand: COMIX  
Width: .



Reference: FNX2-233  
Jet dyeing machine H.T. 2 ROPE  
Year: 2001  
Brand: MCS  
Width: .



Reference: AV7-008  
JIGGER ELECTRONIC D1300  
Year: 2002  
Brand: TVE Escala  
Width: 2200



Reference: M-1662  
JIGGER HIGH TEMPERATURE  
3600mm  
Year: 1997  
Brand: MCS  
Width: 3600



Reference: SAS-017  
Jigger high temperature RENEWED  
Year: 1982  
Brand: MCS  
Width: 2600



Reference: M-1712  
LABORATORY STENTER  
Year: .  
Brand: Werner Mathis AG  
Width: .



Reference: M-1719  
NEEDLE WHEEL WEFT  
STRAIGHTENER  
Year: 1986  
Brand: Corino  
Width: 2000



Reference: MTB-025  
PACKING MACHINE  
Year: 1991  
Brand: Tapalsa  
Width: 2400



Reference: AV7-013  
PREPARATION MACHINE  
Year: 1998  
Brand: Corino  
Width: 2000



Reference: MUS-001  
Preparator for Thickeners And ...  
Year: 2005  
Brand: Fimat  
Width: .



Reference: MIC-059A  
ROTARY CUTTER FLOCK  
Year: 2005  
Brand: H&H  
Width: 432



Reference: MIC-060A  
ROTARY CUTTER FLOCK  
Year: 2005  
Brand: H&H  
Width: 432



Reference: MIC-061A  
ROTARY CUTTER FLOCK  
Year: 2005  
Brand: H&H  
Width: 432



Reference: AV7-021  
ROTARY HIDRAULIC UNIT  
Year: .  
Brand: Asisa  
Width: .



Reference: AV7-020  
ROTARY HIDRAULIC UNIT  
Year: .  
Brand: Asisa  
Width: .



Reference: CCTT-045  
ROTATING STATION 6 POINTS  
Year: .  
Brand: MENZEL  
Width: .



Reference: M-1702  
ROTATING STATION 7 POINTS  
Year: .  
Brand: .  
Width: .



Reference: TES-001  
SANFORISING MACHINE  
Year: 1991  
Brand: Monforts  
Width: 2100



Reference: AV7-009  
SANFORISING MACHINE FOR FABRIC...  
Year: 1995  
Brand: MUZZI  
Width: 2000



Reference: M-1709  
SHEARING & CLEANING MACHINE  
Year: 1990  
Brand: Torres Maquinaria Textil  
Width: 3000



Reference: AV7-012  
SHEARING MACHINE  
Year: 1991  
Brand: Lafer  
Width: 2000



Reference: MIC-059D  
SIEVING UNIT  
Year: 2005  
Brand: FUCHS  
Width: .



Reference: MIC-061B  
SIEVING UNIT  
Year: 2005  
Brand: WERKHUIZEN SCHEPENS  
Width: .



Reference: MIC-060D  
SIEVING UNIT  
Year: 2005  
Brand: FUCHS  
Width: .



Reference: MIC-060C  
SIEVING UNIT  
Year: 2005  
Brand: FUCHS  
Width: .



Reference: MIC-060B  
SIEVING UNIT  
Year: 2005  
Brand: FUCHS  
Width: .



Reference: MIC-059C  
SIEVING UNIT  
Year: 2005  
Brand: FUCHS  
Width: .



Reference: MIC-059B  
SIEVING UNIT  
Year: 2005  
Brand: FUCHS  
Width: .



Reference: FNX2-216  
Squeezing and finishing padder  
Year: 1999  
Brand: Artos  
Width: 2000



Reference: LEG-002  
SQUEEZING PADDER for samples.  
Year: .  
Brand: Bianco  
Width: 400



Reference: M-1694  
STABILIZATION MACHINE WITH FEL...  
Year: 2011  
Brand: Lafer  
Width: 2400



Reference: AV7-014  
STEAM BOILER 1750kg  
Year: 2016  
Brand: PERELLÓ I.VAR  
Width: .



Reference: M-1626  
STORK Coating Line Roller Widt...  
Year: 1989  
Brand: Stork  
Width: 2000



Reference: TTR-014  
TEST PILLING  
Year: .  
Brand: ATLAS  
Width: .



Reference: M-1699  
THREE-CYLINDER REFINER  
Year: 1988  
Brand: TALLERES MIRALLES  
Width: .



Reference: M-1713  
UNSTITCHING MACHINE  
Year: 2001  
Brand: Corino  
Width: .



Reference: M-1714  
UNSTITCHING MACHINE  
Year: .  
Brand: Bianco  
Width: .



Reference: M-1670  
WASHING BOX SHARK  
Year: .  
Brand: TVE Escalé  
Width: 2000



Reference: TFN-013  
WASHING MACHINE OPEN WIDTH  
Year: 1998  
Brand: CIMI  
Width: 2000



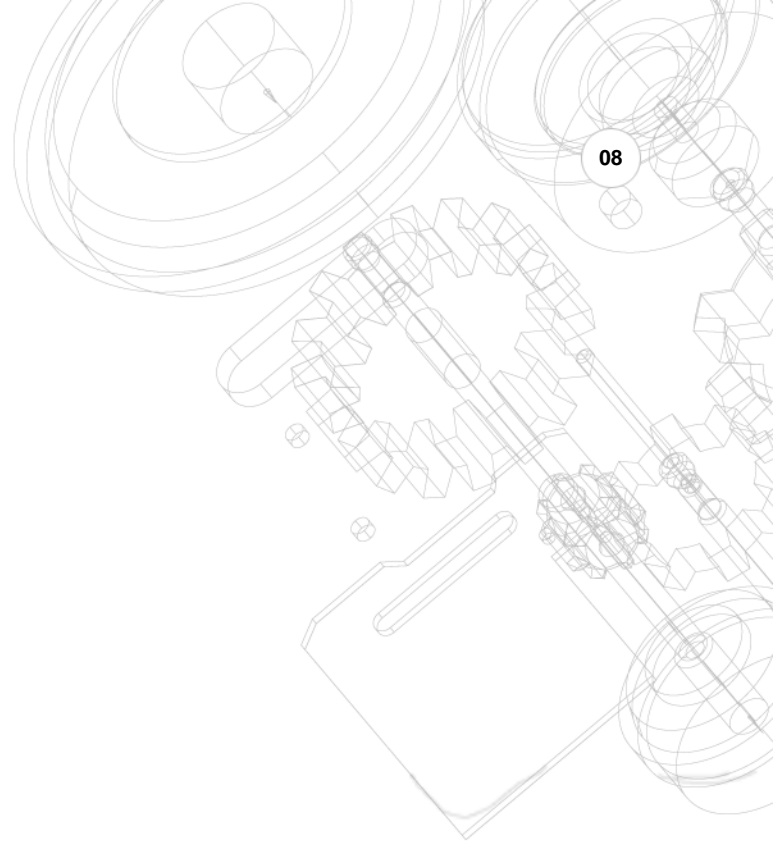
Reference: FNX2-268  
WEFTSTRAIGHTENER  
Year: 2000/2008  
Brand: BIANCO/CORINO  
Width: 2000



Reference: TTR-041  
WINDER 6 conos  
Year: .  
Brand: Motocono  
Width: .



Reference: F-6727  
WUMAG water-cooled drums ( 2 c...  
Year: 1993  
Brand: Wumag  
Width: 2400



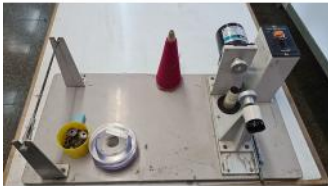
## CONES / BOBINES (PREPARATION, DYEING AND DRYING)



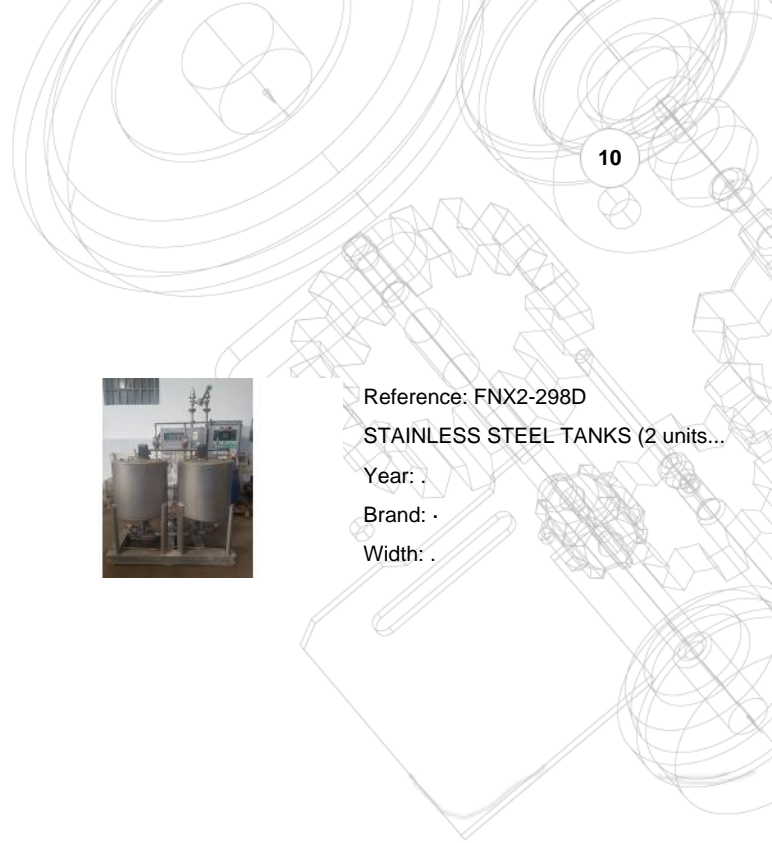
Reference: TTR-046  
CONE WINDER MACHINE  
Year: 1989  
Brand: KARL MAYER  
Width: .



Reference: LAN-110  
Dryer (Bobines)  
Year: 1998  
Brand: Galvanin  
Width: 0



Reference: JSO-006  
WINDER LABO  
Year: .  
Brand: .  
Width: .



## DYEING (AUXILIARY MACHINERY)



Reference: TAC-010  
PRODUCT KITCHEN AUTOMATIC  
Year: 2006  
Brand: SYNESYS  
Width: .



Reference: M-1274  
Winding Machine on Dyeing Beam  
Year: 1995  
Brand: Tapa  
Width: 2900



Reference: FNX2-298D  
STAINLESS STEEL TANKS (2 units...  
Year: .  
Brand: .  
Width: .

## FINISHING



Reference: CCMA-005  
AERATOR  
Year: 1996  
Brand: MONDOMIX  
Width: .



Reference: CCMA-006  
AERATOR  
Year: .  
Brand: HANSAWERKE  
Width: .



Reference: CCMA-007  
AERATOR  
Year: 2007  
Brand: AUSTRO MAQUINAS (JANTEX)  
Width: .



Reference: APR-002  
CALANDER 3 BOWLS  
Year: .  
Brand: Kleinewefers  
Width: 1700



Reference: M-1733  
CALANDER KUSTERS  
Year: 1986  
Brand: Kusters  
Width: 2000



Reference: M-1679  
CALENDAR FOR LAMINATION  
Year: 2002  
Brand: BERGI  
Width: 1900



Reference: FNX2-211  
COATING HEAD  
Year: 1993  
Brand: ROLLMAC  
Width: 1800



Reference: FNX-249  
COMPACTOR  
Year: 1999  
Brand: Sperotto Rimar  
Width: 2400



Reference: AV7-011  
DECATIZING MACHINE CONTINUOUS  
Year: 1987  
Brand: Sperotto Rimar  
Width: 1900



Reference: M-1669  
KISS ROLL COATING HEAD  
Year: 1989  
Brand: ISOTEX  
Width: 2200



Reference: TES-001  
SANFORISING MACHINE  
Year: 1991  
Brand: Monforts  
Width: 2100



Reference: AV7-009  
SANFORISING MACHINE FOR FABRIC...  
Year: 1995  
Brand: MUZZI  
Width: 2000



Reference: AV7-012  
SHEARING MACHINE  
Year: 1991  
Brand: Lafer  
Width: 2000



Reference: ARG-001  
SINGEING AND PAD-BATCH  
Year: 1990  
Brand: Fite  
Width: 2000



Reference: M-1694  
STABILIZATION MACHINE WITH  
FEL...  
Year: 2011  
Brand: Lafer  
Width: 2400



Reference: M-1401  
Tumbler discontinuous  
Year: 1990  
Brand: Anglada  
Width: .

## FINISHING (AUXILIARY MACHINES)



Reference: MIC-033A  
ACUMULATOR 66 meters  
Year: 1996  
Brand: MATTHYS  
Width: 2000



Reference: ACA-036S  
BIG BATCHER TANGENCIAL  
Year: .  
Brand: .  
Width: 2200



Reference: SDS-005  
BIG-BATCHER FOR A-FRAME  
Year: .  
Brand: .  
Width: 2100



Reference: SDS-006  
BIG-BATCHER FOR A-FRAME  
Year: .  
Brand: .  
Width: 2200



Reference: TIR-010  
BRUSHING UNIT FABRIC  
MOTORIZED...  
Year: 2001  
Brand: A&B GROUP (ALBATECH  
BINOVA)



Reference: FNX2-345  
BURSTING STRENGTH TESTER  
Year: 1994  
Brand: TMI  
Width: .



Width: 3600  
Reference: M-1672  
CENTERING DEVICE  
Year: .  
Brand: Tapalsa  
Width: .



Reference: ACA-0360  
CENTERING DEVICE WITH FLUO  
Year: .  
Brand: Bianco  
Width: 2200



Reference: M-169602  
COLOUR KITCHEN PREPARATION  
MAC...  
Year: .  
Brand: .  
Width: .



Reference: FNX2-250  
DOSING FOAM PUMP  
Year: 1998  
Brand: ROLLMAC  
Width: .



Reference: TIR-007  
FREE-RUNNING ROLLER BED  
Year: .  
Brand: .  
Width: 3800



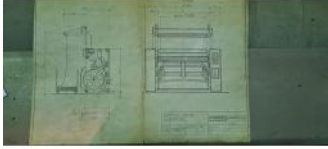
Reference: CCTT-055  
GUIDING DEVICE  
Year: .  
Brand: E+L  
Width: .



Reference: SDS-002  
J-BOX  
Year: 1995  
Brand: Samit  
Width: 2400



Reference: MIC-070L  
LAY ROLL CYLINDER  
Year: 2006  
Brand: DE MEYER  
Width: 2000



Reference: M-1719  
NEEDLE WHEEL WEFT  
STRAIGHTENER  
Year: 1986  
Brand: Corino  
Width: 2000



Reference: AV7-021  
ROTARY HIDRAULIC UNIT  
Year: .  
Brand: Asisa  
Width: .



Reference: MIC-031  
PRODUCT KITCHEN 4 TANKS  
Year: 2008  
Brand: .  
Width: .



Reference: AV7-020  
ROTARY HIDRAULIC UNIT  
Year: .  
Brand: Asisa  
Width: .



Reference: CCTT-049  
ROTARY HYDRAULIC UNIT 4kw  
Year: .  
Brand: .  
Width: ..



Reference: CCTT-052  
ROTARY HYDRAULIC UNIT 4kw  
Year: .  
Brand: .  
Width: .



Reference: CCTT-045  
ROTATING STATION 6 POINTS  
Year: .  
Brand: MENZEL  
Width: .



Reference: M-1702  
ROTATING STATION 7 POINTS  
Year: .  
Brand: .  
Width: .



Reference: M-1636  
STEAM CYLINDER FOR  
SANFORIZING LINE  
Year: 2015  
Brand: Tapa  
Width: 1800



Reference: DIV-002  
Weft straightener  
Year: 1986  
Brand: Bianco  
Width: 1800



Reference: M-1340  
Weft straightener  
Year: 1988  
Brand: Mahlo  
Width: 2400



Reference: M-1271  
Weft straightener  
Year: 1987  
Brand: Mahlo  
Width: 2000



Reference: FNX2-268  
WEFTSTRAIGHTENER  
Year: 2000/2008  
Brand: BIANCO/CORINO  
Width: 2000

## FLOCK



Reference: MIC-059A  
ROTARY CUTTER FLOCK  
Year: 2005  
Brand: H&H  
Width: 432



Reference: MIC-060A  
ROTARY CUTTER FLOCK  
Year: 2005  
Brand: H&H  
Width: 432



Reference: MIC-061A  
ROTARY CUTTER FLOCK  
Year: 2005  
Brand: H&H  
Width: 432



Reference: MIC-059B  
SIEVING UNIT  
Year: 2005  
Brand: FUCHS  
Width: .



Reference: MIC-059C  
SIEVING UNIT  
Year: 2005  
Brand: FUCHS  
Width: .



Reference: MIC-059D  
SIEVING UNIT  
Year: 2005  
Brand: FUCHS  
Width: .



Reference: MIC-060B  
SIEVING UNIT  
Year: 2005  
Brand: FUCHS  
Width: .



Reference: MIC-060C  
SIEVING UNIT  
Year: 2005  
Brand: FUCHS  
Width: .



Reference: MIC-060D  
SIEVING UNIT  
Year: 2005  
Brand: FUCHS  
Width: .



Reference: MIC-061B  
SIEVING UNIT  
Year: 2005  
Brand: WERKHUIZEN SCHEPENS  
Width: .



Reference: MIC-2650  
TEST SIEVE SHAKER  
Year: .  
Brand: W. S. TYLER  
Width: .

## GARMENT (KNITTING, WASHING, DYEING, DRYING AND FINISHING)



Reference: ATG-005  
DRYER 30kg  
Year: 1998  
Brand: Maino Inox  
Width: .



Reference: ATG-006  
DRYER 30kg  
Year: 1998  
Brand: Maino Inox  
Width: .



Reference: LLP-018  
DRYER ROTATIVE Ø 1000 mm \* 635 mm  
Year: 2001  
Brand: DOMUS  
Width: .



Reference: JSO-012  
TISSUE MARKING AND CUTTING  
LAS...  
Year: 2002  
Brand: INTERLAS TECHNOLOGY  
Width: .



Reference: JSO-013  
TISSUE MARKING AND CUTTING  
LAS...  
Year: 1998  
Brand: RICAMAR  
Width: .



Reference: JSO-015  
TRANSFER  
Year: .  
Brand: ALIVERTI  
Width: .



Reference: JSO-017  
TRANSFER  
Year: .  
Brand: KOMA-TECH  
Width: .



Reference: CSS-002  
TUMBLER DRYER  
Year: 2006  
Brand: Girbau  
Width: .

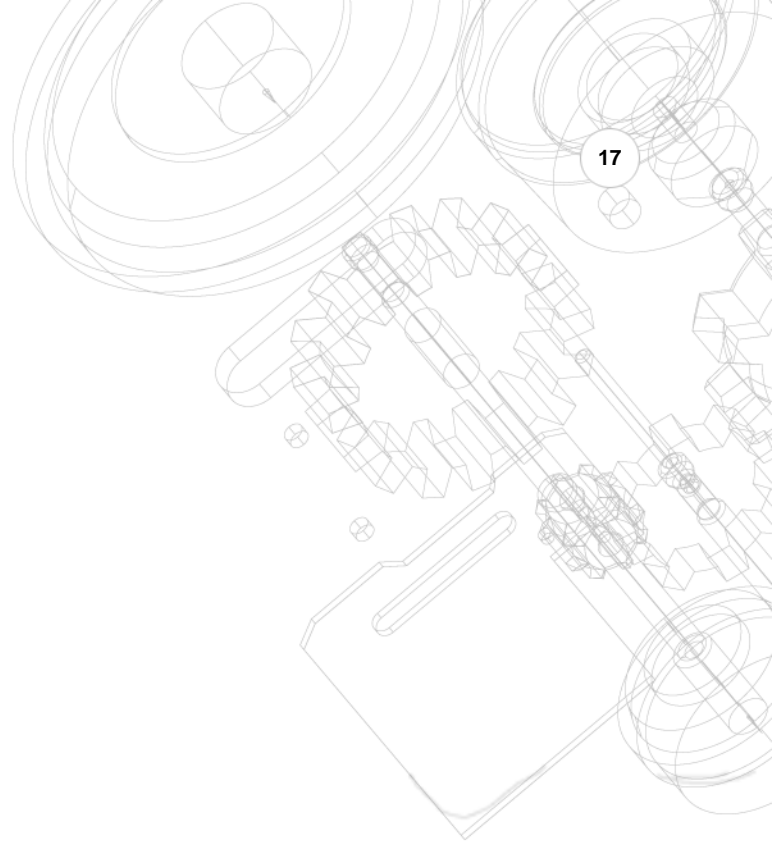


Reference: JSO-014  
WASHING MACHINE PERCLORO  
Year: .  
Brand: Silc  
Width: .

## HANKS (DYEING, DRYING AND FINISHING)



Reference: MRC-002  
DYEING CABINET  
Year: 2007  
Brand: GRANDIS  
Width: .



## INSPECTION, ROLLING, PACKING AND DOUBLING



Reference: M-1553  
Inspection and Rolling Machine  
Year: .  
Brand: .  
Width: 2000



Reference: MIC-037  
Inspection and Rolling Machine  
Year: 1997  
Brand: MATTHYS  
Width: 2000



Reference: SDT-020  
Inspection and Rolling Machine  
Year: 1989  
Brand: Offri  
Width: 2200



Reference: M-1634  
Inspection and Rolling Machine  
Year: .  
Brand: Macotex  
Width: 2000



Reference: TTR-003  
INSPECTING TABLE WITH  
COUNTER  
Year: .  
Brand: .  
Width: 1800



Reference: LVS-002  
PACKING MACHINE  
Year: .  
Brand: CIPRO  
Width: .



Reference: LVS-001  
PACKING MACHINE  
Year: .  
Brand: IM2  
Width: .



Reference: MTB-025  
PACKING MACHINE  
Year: 1991  
Brand: Tapalsa  
Width: 2400



Reference: QTX-006  
ROLLING MACHINE  
Year: 2005  
Brand: STI SERVIZI TECNICI  
INTEGRATI  
Width: 1940



Reference: QTX-007  
ROLLING MACHINE  
Year: 2004  
Brand: STI SERVIZI TECNICI  
INTEGRATI  
Width: 1940



Reference: TXD-035  
Rolling Machine 1000mm  
Year: .  
Brand: Massana  
Width: 1000



Reference: TXD-036  
Rolling Machine 1000mm  
Year: .  
Brand: Massana  
Width: 1000



Reference: QTX-009  
UNROLLING MACHINE  
Year: 2005  
Brand: STI SERVIZI TECNICI  
INTEGRATI  
Width: 1940



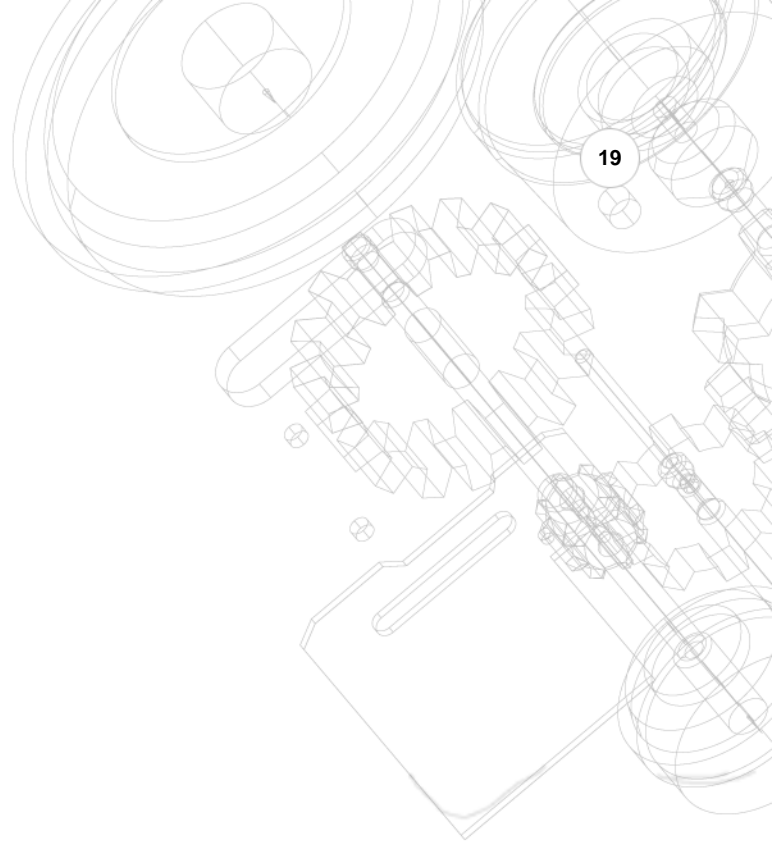
Reference: QTX-010  
UNROLLING MACHINE  
Year: 2005  
Brand: STI SERVIZI TECNICI  
INTEGRATI  
Width: 1940



COMERCIAL  
CATALANA  
DE MAQUINARIA TEXTIL S.A.



Reference: QTX-008  
UNROLLING MACHINE  
Year: 2005  
Brand: STI SERVIZI TECNICI  
INTEGRATI  
Width: 1940



## LABORATORY



Reference: TTR-023  
ABRASION TESTER TWO PLATES  
Year: .  
Brand: .  
Width: .



Reference: TTE-18  
Beam shrinking samples with steam  
Year: .  
Brand: Wira  
Width: 0



Reference: TTR-019  
CROCKMETER  
Year: .  
Brand: Roaches  
Width: .



Reference: FNX2-337  
CROCKMETER MANUAL  
Year: .  
Brand: ATLAS  
Width: .



Reference: TTR-013  
CUT / PINKING MACHINE 500mm  
Year: .  
Brand: PIGUILLEM  
Width: .



Reference: M-1732  
CUT / PINKING MACHINE 500mm  
wi...  
Year: 1999  
Brand: Fite  
Width: 500



Reference: TTR-009  
CUT / PINKING MACHINE 800mm  
Year: .  
Brand: BOSCH  
Width: .



Reference: M-1731  
CUT / PINKING MACHINE 820mm  
wi...  
Year: .  
Brand: Fite  
Width: 820



Reference: MRC-003  
DATACOLOR 400 COMPLETE  
Year: 2008  
Brand: Datacolor  
Width: .



Reference: MRC-004  
DRYING OVEN  
Year: .  
Brand: RAYPA  
Width: .



Reference: ACA-240  
JIGGER Laboratory  
Year: .  
Brand: Ernst Benz  
Width: 500



Reference: CTB-108  
laboratory sample dyer for cones  
Year: 1993  
Brand: Ugolini  
Width: .



Reference: M-1712  
LABORATORY STENTER  
Year: .  
Brand: Werner Mathis AG  
Width: .



Reference: MIC-005  
LABORATORY WASHING MACHINE  
Year: 1997  
Brand: IPSO International  
Width: .



Reference: LEG-002  
SQUEEZING PADDER for samples.  
Year: .  
Brand: Bianco  
Width: 400



Reference: TTR-014  
TEST PILLING  
Year: .  
Brand: ATLAS  
Width: .



Reference: M-1590  
ULTRASONICS POWER CLEANING  
Year: .  
Brand: TELSONIC  
Width: .

## OPEN-WIDTH DYEING



Reference: AV7-008  
JIGGER ELECTRONIC D1300  
Year: 2002  
Brand: TVE Escala  
Width: 2200



Reference: M-1662  
JIGGER HIGH TEMPERATURE  
3600mm  
Year: 1997  
Brand: MCS  
Width: 3600



Reference: SAS-017  
Jigger high temperature RENEWED  
Year: 1982  
Brand: MCS  
Width: 2600



Reference: CCM-023  
PROGRAMMER PCS 200FZ  
Year: .  
Brand: Kusters  
Width: .



Reference: CR-1000  
PUMP 75kw WITH CAUDALIMETER  
FO...  
Year: 1999  
Brand: Thies  
Width: .

## PADDER / FOULARD DYEING, SQUEEZING & IMPREGNATING



Reference: CCMA-001  
FINISHING PADDER  
Year: 2002  
Brand: Bruckner  
Width: 3200



Reference: MTB-021  
IMPREGNATION PADDER  
Year: .  
Brand: Tapa  
Width: 2000



Reference: CC0015  
Squeezing and finishing padder  
Year: 1983  
Brand: Benguerel  
Width: 2400



Reference: M-1002  
Squeezing and finishing padder  
Year: 1988  
Brand: Artos  
Width: 2200



Reference: FNX2-216  
Squeezing and finishing padder  
Year: 1999  
Brand: Artos  
Width: 2000



Reference: CC0087  
Squeezing padder  
Year: 1999  
Brand: Intes  
Width: 2000



Reference: CR-039C  
Squeezing padder  
Year: 1990  
Brand: Kusters  
Width: 2400

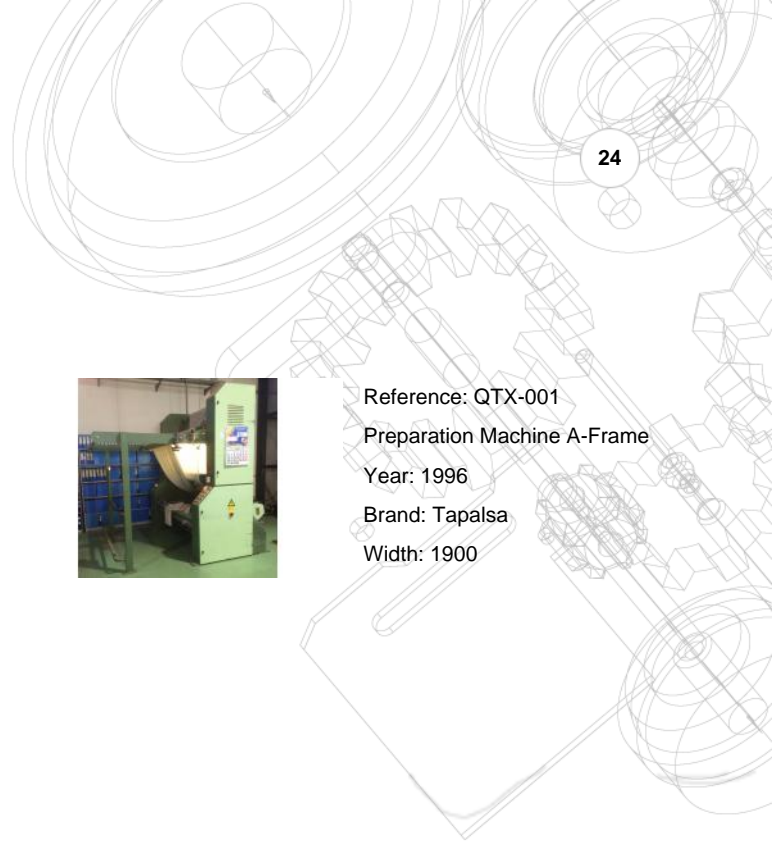
## PREPARING MACHINERY



Reference: AV7-013  
PREPARATION MACHINE  
Year: 1998  
Brand: Corino  
Width: 2000



Reference: QTX-001  
Preparation Machine A-Frame  
Year: 1996  
Brand: Tapalsa  
Width: 1900



## PRINTING (MACHINERY AND AUXILIAR)



Reference: QTX-012  
 DRYING ELECTRIC MACHINE  
 Year: 2004  
 Brand: STI SERVIZI TECNICI INTEGRATI

Width: 1800mm util



Reference: M-1613  
 Fibers remove machine for prin...

Year: .

Brand: Stork

Width: 2000



Reference: QTX-011  
 DRYING ELECTRIC MACHINE  
 Year: 2005  
 Brand: STI SERVIZI TECNICI INTEGRATI

Width: 1800mm util

Reference: EST-07A  
 FLAT BELT PRINTING MACHINE (SP...

Year: 1998

Brand: MS

Width: .



Reference: MIC-002A  
 MIXER 7.5KW

Year: 2004

Brand: .

Width: .



Reference: M-1497  
 Mixer Small Colour Tanks

Year: 1982

Brand: Vanwyk

Width: .



Reference: MIC-002D  
 Paste Kitchen with 5 storage t...

Year: .

Brand: .

Width: .



Reference: M-1659  
 Preparator for Thickeners And ...

Year: 2004

Brand: Fimat

Width: .



Reference: MUS-001  
 Preparator for Thickeners And ...

Year: 2005

Brand: Fimat

Width: .



Reference: M-1626  
 STORK Coating Line Roller Widt...

Year: 1989

Brand: Stork

Width: 2000



Reference: MIC-002E  
 TANK for paste Ø 1.250 x h 1....

Year: .

Brand: .

Width: .



Reference: MIC-003A  
 TANK for paste Ø 1.250 x h 1....

Year: .

Brand: .

Width: .



Reference: M-1699  
 THREE-CYLINDER REFINER

Year: 1988

Brand: TALLERES MIRALLES

Width: .



Reference: MIC-002B  
 VAN WYK Filter for paste

Year: 1986

Brand: Vanwyk

Width: .

## RAISING / SHEARING / EMERIZING



Reference: TIP-097  
Compactor For Dust  
Year: 1996  
Brand: Lossatex  
Width: -



Reference: CV08  
Emerizing machine  
Year: 1990  
Brand: Torres  
Width: 1900



Reference: M-1487  
Emerizing Machine  
Year: 1997  
Brand: Stamperia Emiliana  
Width: 1900



Reference: M-1709  
SHEARING & CLEANING MACHINE  
Year: 1990  
Brand: Torres Maquinaria Tèxtil  
Width: 3000



Reference: MEL-220  
SHEARING MACHINES ONE  
CUTTING HEAD  
Year: 1997  
Brand: Torres Maquinaria Tèxtil  
Width: 1800

## ROPE DYEING



Reference: AV7-006  
1 JETS ATMOSPHERIC COUPLED  
FOR...  
Year: 1999  
Brand: COMIX  
Width: .



Reference: AV7-007  
2 JETS ATMOSPHERIC COUPLED  
FOR...  
Year: 1999  
Brand: COMIX  
Width: .



Reference: AV7-003  
JET ATMOSPHERIC 100kg  
Year: 1999  
Brand: COMIX  
Width: .



Reference: AV7-004  
JET ATMOSPHERIC 15kg  
Year: 1998  
Brand: Minox  
Width: .



Reference: AV7-005  
JET ATMOSPHERIC 30kg  
Year: 1999  
Brand: COMIX  
Width: .



Reference: CR-103  
Jet dyeing machine H.T.  
Year: 2005  
Brand: MCS  
Width: 0



Reference: NES-002  
Jet dyeing machine H.T.  
Year: 1988  
Brand: MCS  
Width: .



Reference: FN2-233  
Jet dyeing machine H.T. 2 ROPE  
Year: 2001  
Brand: MCS  
Width: .



Reference: ACA-241  
Laboratory Winch for samples 3...  
Year: .  
Brand: .  
Width: .



Reference: TIP-026  
Oval Dye Machine  
Year: -  
Brand: Maino Inox  
Width: -

## ROPE OPENER / SLITTER AND ROPE OPENER



Reference: FNX2-244  
DETWISTING MACHINE  
Year: 2000  
Brand: Corino  
Width: 2200



Reference: LFO-001  
Rope opener machine  
Year: 1990  
Brand: Bianco  
Width: 2000



Reference: M-1713  
UNSTITCHING MACHINE  
Year: 2001  
Brand: Corino  
Width: .



Reference: M-1714  
UNSTITCHING MACHINE  
Year: .  
Brand: Bianco  
Width: .

## SEWING AND EMBROIDERY MACHINE



Reference: BOR-002  
Embroidering 6 heads  
Year: 2004  
Brand: FEIYA  
Width: .



Reference: BOR-001  
Embroidering 6 heads  
Year: 2003  
Brand: FEIYA  
Width: .



Reference: BOR-003  
Embroidering 6 heads  
Year: 2003  
Brand: FEIYA  
Width: .



Reference: BOR-004  
Embroidering 6 heads  
Year: 2003  
Brand: FEIYA  
Width: .



Reference: JSO-001  
EMBROIDERY MACHINE 12 HEADS  
Year: 2005  
Brand: SWF  
Width: .



Reference: JSO-003  
EMBROIDERY MACHINE 15 HEADS  
Year: 2005  
Brand: ZSK  
Width: .



Reference: SDT-022  
OPEN-WIDTH TESTA SEWING MACHINE  
Year: .  
Brand: Merrow  
Width: 2400



Reference: CUM-113  
Sewing Machine  
Year: .  
Brand: Lewis  
Width: .



Reference: CUM-104  
Sewing Machine  
Year: .  
Brand: Rimoldi  
Width: .



Reference: CUM-070  
Sewing Machine  
Year: .  
Brand: Ching Chi  
Width: .



Reference: CUM-039  
Sewing Machine  
Year: .  
Brand: Sigma  
Width: .



Reference: CUM-189  
Sewing Machine  
Year: .  
Brand: Rimoldi  
Width: .



Reference: M-1334  
Sewing machine  
Year: .  
Brand: PFAF  
Width: 0



Reference: M-1335  
Sewing machine  
Year: .  
Brand: PFAF  
Width: 0



Reference: M-1336  
sewing machine  
Year: .  
Brand: PFAF  
Width: 0



Reference: M-1337  
Sewing machine  
Year: .  
Brand: PFAF  
Width: 0



Reference: ACT-004  
Sewing machine  
Year: .  
Brand: WILLIAM BIRCH  
Width: .



Reference: EST-36  
Sewing machine (electric)  
Year: .  
Brand: Siruba  
Width: .



Reference: EST-37  
Sewing machine (electric)  
Year: .  
Brand: Brother  
Width: .



Reference: EST-35  
Sewing machine (electric)  
Year: .  
Brand: Brother  
Width: .



Reference: EST-33  
Sewing machine (electric)  
Year: .  
Brand: Singer  
Width: .



Reference: M-1331  
Sewing machine (electric)  
Year: .  
Brand: Gubtor  
Width: 0



Reference: M-1330  
Sewing machine (electric)  
Year: .  
Brand: Gubtor  
Width: 0



Reference: TTE-16  
Sewing machine 3 threads  
Year: .  
Brand: Siruba  
Width: 0



Reference: ESC57  
Sewing machine electric 3 threads  
Year: .  
Brand: Siruba  
Width: 0



Reference: TC-034B  
Sewing machine electric 3 threads  
Year: .  
Brand: Brother  
Width: .



Reference: TC-034C  
Sewing machine electric 3 threads  
Year: .  
Brand: Brother  
Width: .



Reference: TC-034A  
Sewing machine electric 3 threads  
Year: .  
Brand: Brother  
Width: .



Reference: ESC60  
Sewing machine electric 3 threads  
Year: .  
Brand: .  
Width: 0



Reference: M-1325  
Sewing machine pneumatic  
Year: .  
Brand: Romert  
Width: 0



Reference: JSO-007  
THREAD BOBBIN MAKING  
MACHINE  
Year: .  
Brand: .  
Width: .

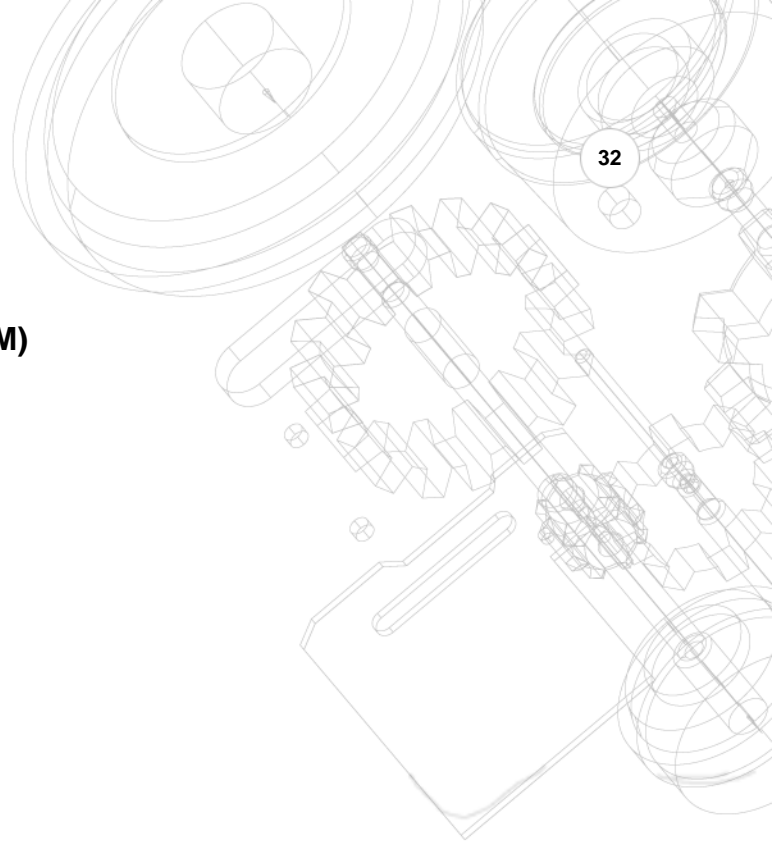


Reference: JSO-008  
THREAD STEAMER  
Year: .  
Brand: .  
Width: .

## SQUEEZING (HYDROEXTRACTOR AND VACUUM)



Reference: M-869  
Hydroextractor D1500\*450mm  
Year: 2005  
Brand: Becherini  
Width: 0



## STEAM BOILER / THERMIC OIL BOILER / GENERATORS



Reference: DIV-003  
BURNER FUEL  
Year: 1996  
Brand: ROCA  
Width: .



Reference: LUI-024  
Heat Exchanger  
Year: 1981  
Brand: Alfa-Laval  
Width: .



Reference: MIC-070B  
HOT WATER GENERATOR  
Year: 2006  
Brand: FRICONTROL  
Width: .



Reference: CUM-211  
Steam Boiler  
Year: .  
Brand: Giconmes  
Width: .



Reference: AV7-014  
STEAM BOILER 1750kg  
Year: 2016  
Brand: PERELLÓ I.VAR  
Width: .



Reference: RGR-002  
THERMIC OIL BOILER  
Year: 1985  
Brand: Pirobloc  
Width: .



Reference: SDS-011  
THERMIC OIL TEMPERATURE  
REGULA...  
Year: .  
Brand: .  
Width: .



Reference: SDS-012  
THERMIC OIL TEMPERATURE  
REGULA...  
Year: .  
Brand: .  
Width: .

## STEAMING & WASHING MACHINES



Reference: M-1161  
Steamer  
Year: 2004  
Brand: CCMT  
Width: 0



Reference: M-1670  
WASHING BOX SHARK  
Year: .  
Brand: TVE Escale  
Width: 2000



Reference: TFN-013  
WASHING MACHINE OPEN WIDTH  
Year: 1998  
Brand: CIMI  
Width: 2000

## STENTER & DRYING MACHINES



Reference: CCM-027  
12 intermediate ARTOS guide + ...  
Year: .  
Brand: Artos  
Width: .



Reference: AV7-031  
4 GAS MAXON BURNERS  
Year: 2000  
Brand: Maxon  
Width: .



Reference: ACA-036E  
CHAIN FAMATEX PIN ( 60 meters)  
Year: .  
Brand: Famatex  
Width: .



Reference: M-1635  
CHAIN PIN AND CLIP ARTOS  
COMPL...  
Year: .  
Brand: Artos  
Width: .



Reference: M-1450  
Chain Vertical stenter  
Year: .  
Brand: Bruckner  
Width: .



Reference: ACA-036P  
GLUING DEVICE  
Year: .  
Brand: Famatex  
Width: .



Reference: ACA-036L  
GUIDES CHAIN FOR FAMATEX  
Year: .  
Brand: Famatex  
Width: .



Reference: M-1579  
IMPREGNATION AND DRYING LINE  
Year: 2004  
Brand: Tapa  
Width: 2000



Reference: ABA-001  
Infrared  
Year: 1989  
Brand: Kromshroeder  
Width: 2400



Reference: CCT-001  
INFRARED  
Year: 1995  
Brand: Bruckner  
Width: 2100



Reference: ACA-036M  
SPEED CONTROL WITH 10  
INVERTER...  
Year: .  
Brand: .  
Width: .



Reference: ACA-036K  
THERMIC OIL BOILERS FAMATEX  
(5...  
Year: .  
Brand: Famatex  
Width: .



Reference: F-6727  
WUMAG water-cooled drums ( 2 c...  
Year: 1993  
Brand: Wumag  
Width: 2400

## VARIOUS



Reference: CTB-157A  
AIR COMPRESSOR 18.5KW  
Year: 1998  
Brand: Ingersollrand  
Width: .



Reference: MTB-066  
BRIDGE CRANE 2.5Ton  
Year: 2003  
Brand: VERLINDE  
Width: .



Reference: TPL-022  
Compressor  
Year: 1997  
Brand: Air Pack  
Width: .



Reference: TPL-020  
Compressor  
Year: 1997  
Brand: Air Pack  
Width: .



Reference: M-929  
Compressor scrow  
Year: 1992  
Brand: Eco Air  
Width: .



Reference: CUM-157  
Cut Manual  
Year: .  
Brand: Pacer  
Width: .



Reference: CUM-158  
Cut Manual  
Year: .  
Brand: Pacer  
Width: .



Reference: CUM-161  
Cut Manual  
Year: .  
Brand: Singer  
Width: .



Reference: CUM-192  
Cut Manual  
Year: .  
Brand: Pacer  
Width: .



Reference: M-1501  
Dryer Air Compressed  
Year: .  
Brand: Chaumecca Iberica  
Width: .



Reference: COT-001  
Fume Hood  
Year: .  
Brand: .  
Width: .



Reference: BLY-026  
HEATING BOILER  
Year: 1997  
Brand: Savio  
Width: .



Reference: TPA-062  
Hydraulic Unit  
Year: .  
Brand: Tapa  
Width: .



Reference: CUM-024  
Iron Industrial Machine  
Year: -  
Brand: Pantex  
Width: -



Reference: CUM-034  
Iron Industrial Machine  
Year: 1998  
Brand: Primula  
Width: -



Reference: CUM-196  
Iron Industrial Machine  
Year: .  
Brand: Giconmes  
Width: .



Reference: MIC-061F  
jacketed mix tank, 316 SS, 3...  
Year: 1997  
Brand: LOPIK  
Width: .



Reference: MIC-059E  
jacketed mix tank, 316 SS, 1.5...  
Year: 1997  
Brand: LOPIK  
Width: .



Reference: MIC-060E  
jacketed mix tank, 316 SS, 1.5...  
Year: 1997  
Brand: LOPIK  
Width: .



Reference: MIC-061E  
jacketed mix tank, 316 SS, 1.5...  
Year: 1997  
Brand: LOPIK  
Width: .



Reference: F-6501  
LIFTER  
Year: 2000  
Brand: BT  
Width: .



Reference: M-1585  
SCALE 11kg  
Year: .  
Brand: JADEVER  
Width: .



Reference: EST-31  
Scale 150kg  
Year: .  
Brand: Mobba  
Width: .



Reference: EST-30  
Scale 150kg  
Year: .  
Brand: Mobba  
Width: .



Reference: EST-32  
Scale 30kg  
Year: .  
Brand: Mobba  
Width: .



Reference: M-1588  
SCALE 60kg  
Year: .  
Brand: TOLEDO  
Width: .



Reference: AZC-035  
SCALE 60kg  
Year: .  
Brand: Sartorius  
Width: .



Reference: LUI-159  
Scales Platform 60kg  
Year: -  
Brand: .  
Width: -

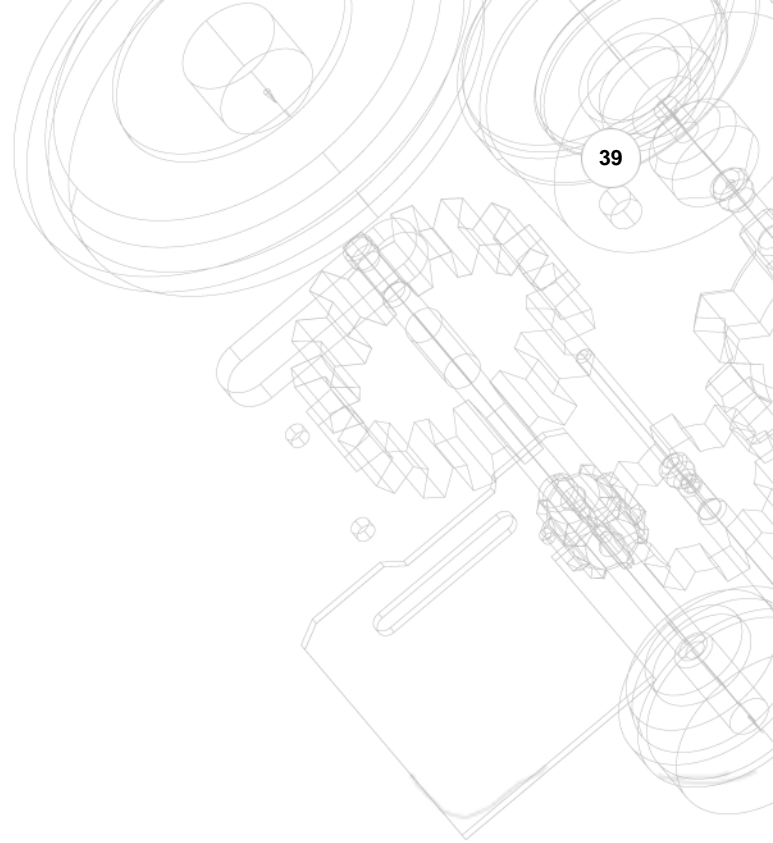


Reference: MIC-0700  
TANK 3500 liters  
Year: 1997  
Brand: CHEMICAL STORAGE  
ENGINEERING  
Width: .



Reference: M-1514  
Trolley Stainless steel For We...  
Year: 2012  
Brand: .  
Width: .





## WEAVING



Reference: TTR-041

WINDER 6 conos

Year: .

Brand: Motocono

Width: .



For more machines and pictures you can visit our web site:

**WWW.COMERCIALCATALANA.COM**

We also have available:

- Dyeing / Squeezing and impregnating padder
- Inspection, rolling and packing machines
- Hydroextractors
- Winding for beam dyeing
- A-frames diferent width
- Escales
- Laboratory equipment
- Screw compressors and air dryer
- Sewing machines
- Open width sewing machines
- Hydraulics unit
- Poliester tanks for water and liquid salt
- Stainles steel tanks, diferent capacities
- Water treatment
- Land filters
- Metallic racks
- Electric fork lifts
- Reparation and maintenance service
- New TECNOLOGIES for finishing and dyeing machinery

See our Technology section within our web site [www.comercialcatalana.com](http://www.comercialcatalana.com)