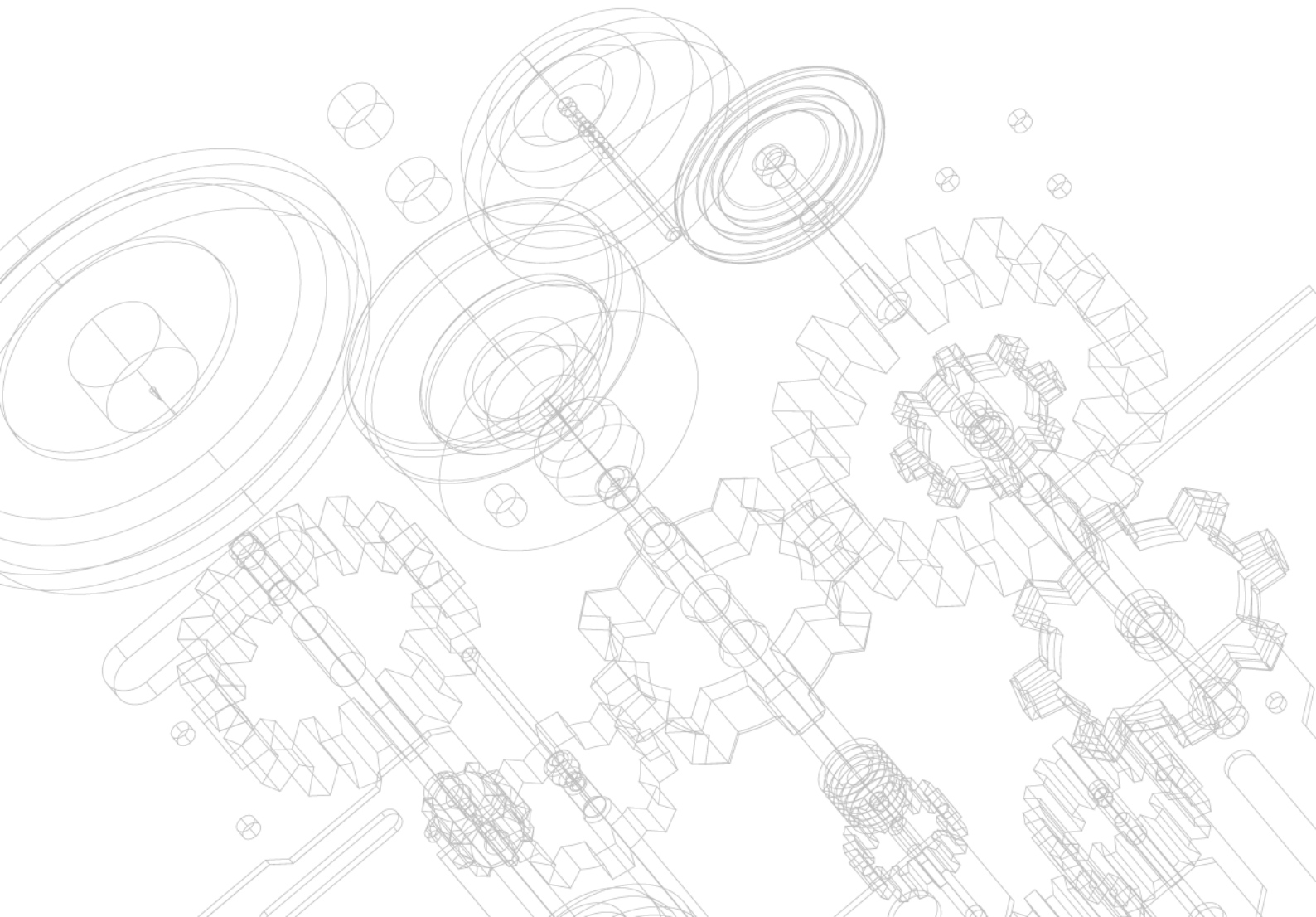




25 Years
1986-2011

**COMERCIAL
DE MAQUINARIA CATALANA
TÈXTIL S.A.**

**GENERAL CATALOGUE
TEXTILE MACHINERY
08/05/2012**



INDEX

LAST ADQUISITIONS	03
AUXILIARY MACHINES FOR FINISHING	08
EXTRUSION PLASTIC SHEET	10
FINISHING	11
FLOCK	14
HOT-MELT	15
LABORATORY	16
OPEN-WIDTH DYEING	18
PADDER / FOULARD DYEING, SQUEEZING & IMPREGNATING	20
PREPARING, INSPECTION, ROLLING & PACKING	22
PRINTING	24
ROPE DYEING	26
SQUEEZING	28
STEAM BOILER / THERMIC OIL BOILER	29
STEAMING & WASHING MACHINES	30
STENTER & DRYING MACHINES	32
VARIOUS	34
WATER TREATMENT	38

LAST ADQUISITIONS



Reference: LUI-057
A-Frame Preparation Machine
Year: 1996
Brand: Monti
Width: 2000



Reference: TPL-002
ACUMULATOR BELT
Year: 1998
Brand: Tapalsa
Width: 1900 mm.



Reference: BPS-030
Adsorption dryers DryXtreme NST
Year: 2007
Brand: NOVAIR-MTA SA
Width: .



Reference: BPS-031
Adsorption dryers DryXtreme NST
Year: 2007
Brand: NOVAIR-MTA SA
Width: .



Reference: TTE-02
Airo
Year: 1997
Brand: Biancalani
Width: 0



Reference: LUI-027
Calander
Year: 1989
Brand: Beta
Width: 2000



Reference: LUI-037
Cooling and Recuperator for Ca...
Year: 1987
Brand: Kasag
Width: -



Reference: LUI-103
Cutting Corduroy Machine
Year: -
Brand: West Point
Width: 1700



Reference: EST-17
DRYER
Year: .
Brand: Icomatex
Width: 2200



Reference: LUI-030
Dryer Line with Double Impregn...
Year: -
Brand: Beta
Width: 2000



Reference: TTE-05
Drying machine (2 columns)
Year: 2007
Brand: Morrison
Width: 2.000



Reference: LUI-023
Dyeing Line Open Width with Foulard
Year: 1987
Brand: Küsters
Width: 2000



Reference: TTE-24
Emerizing fabrics machine
Year: 2000
Brand: Torres
Width: 2000



Reference: LUI-100
Emerizing Machine
Year: 1988
Brand: Caru
Width: -



Reference: EST-04
Flat bed printing machine
Year: 1990
Brand: Reggiani
Width: 1700



Reference: BPS-019
Fork lift
Year: 1996
Brand: BLITZ
Width: .



Reference: LUI-130
Fotospectrometer
Year: 2002
Brand: Gretagmacbeth
Width: -



Reference: LUI-019A
Foulard
Year: 1987
Brand: Küsters
Width: 2200



Reference: F-4527
GRAVIMAT weight measurement system
Year: 1997
Brand: Mahlo
Width: .



Reference: CR-109
Horizontal Beam Dyeing Machine
Year: 1999
Brand: Thies
Width: 0



Reference: LUI-012
Hydraulic A-Frame Drive
Year: -
Brand: -
Width: -



Reference: LIC-006
Infrared Radiand Heater
Year: 2006
Brand: CARLIEUKLIMA
Width: .



Reference: TPL-001
INSPECTING MACHINE
Year: 1999
Brand: Tapalsa
Width: 1900 mm.



Reference: LUI-075
Inspecting, Rolling and Packin...
Year: 1999
Brand: -
Width: 2000



Reference: LUI-076
Inspecting, Rolling and Packin...
Year: 1992
Brand: Simat
Width: 2000



Reference: LUI-077
Inspecting, Rolling and Packin...
Year: 1992
Brand: Simat
Width: 2000



Reference: CR-103
Jet dyeing machine
Year: 2005
Brand: MCS
Width: 0



Reference: M-1453
Jet dyeing machine H.T.
Year: 1998
Brand: Thies
Width: .



Reference: LUI-005
Jigger
Year: 1990
Brand: Mezzera
Width: 2000



Reference: LUI-006
Jigger
Year: 1990
Brand: Mezzera
Width: 2000



Reference: UTX-001
Jigger Atmospheric Electronic
Year: 1999
Brand: Küsters
Width: 2.400



Reference: UTX-002
Jigger Atmospheric Electronic
Year: 1999
Brand: Küsters
Width: 2400



Reference: LUI-126
Jigger of Laboratory
Year: -
Brand: Werner Mathis AG
Width: -



Reference: LUI-039
Mercerizing Machine
Year: -
Brand: Benninger
Width: 2400



Reference: LUI-102
Open Width Washing and Finishi...
Year: -
Brand: -
Width: 2000



Reference: LUI-040
Open Width Washing Machine
Year: -
Brand: Benninger
Width: 2280



Reference: LUI-082
Osmosis System
Year: 1998
Brand: Babcock Wanson
Width: -



Reference: LUI-079
Packing Machine
Year: 1992
Brand: Simat
Width: -



Reference: LUI-080
Packing Machine
Year: 1992
Brand: Simat
Width: -



Reference: LUI-022
Pad Batch
Year: 1974
Brand: Osthoff
Width: 2200



Reference: LUI-019
Pad Steam
Year: 1987
Brand: Artos
Width: 2600



Reference: LUI-070
Pad Steam of Laboratory
Year: -
Brand: Ernst Benz
Width: 350



Reference: F-4526
PERMASET: STENTER CONTROL
SYSTEM
Year: 1997
Brand: Mahlo
Width: .



Reference: LUI-053
Preparation Machine
Year: 1998
Brand: Simat
Width: 2000



Reference: M-1471
PREPARING MACHINE
Year: 2001
Brand: Testa
Width: 2000



Reference: LUI-090
Raising Machine
Year: 1987
Brand: Lamperti
Width: 2000



Reference: BPS-001
Reverse OSMOSIS water product...
Year: 2008
Brand: NALCO
Width: .



Reference: LUI-097
Rolling Machine
Year: -
Brand: Simat
Width: 2000



Reference: LUI-035
Rope Opener
Year: 1993
Brand: Bianco
Width: 2000



Reference: LUI-067
Screw Compressor
Year: -
Brand: Rollair
Width: -



Reference: TDE-04
Shearing knitting fabrics machine
Year: 1991
Brand: Torres
Width: 2000



Reference: M-1427
Shearing machine
Year: 2001
Brand: Torres
Width: 3400



Reference: LUI-095
Shearing Machine
Year: 1994
Brand: Lafer
Width: 2000



Reference: M-1473
Singeing machine
Year: 2000
Brand: Fite
Width: 2000



Reference: LUI-041A
Stainless Steel Entry with Fluo
Year: 1991
Brand: Abac
Width: 2200



Reference: TIG-01
STEAM BOILER
Year: 2000
Brand: Steambloc
Width: .



Reference: LUI-051
Steam Boiler
Year: 1998
Brand: Babcock Wanson
Width: -



Reference: LUI-050
Steam Boiler
Year: 1998
Brand: Babcock Wanson
Width: -



Reference: LUI-049
Steam Boiler
Year: 2000
Brand: Babcock Wanson
Width: -



Reference: LUI-052
Steam Boiler
Year: 1998
Brand: Babcock Wanson
Width: -



Reference: LUI-038
Stenter
Year: -
Brand: Artos
Width: 2300



Reference: LUI-041
Stenter
Year: -
Brand: Artos
Width: 2300



Reference: LUI-098
Sueding / Emerizing Machine
Year: 2002
Brand: Mario Crosta
Width: 2000



Reference: LUI-025
Thermosol
Year: 1974
Brand: Artos
Width: 2000



Reference: LUI-129
Tint Control
Year: -
Brand: Gavazzi
Width: -



Reference: TTE-08C
Washing machine open-width
Year: 1989/2007
Brand: Babcock
Width: 1800



Reference: TTE-06
Washing machine open-width
Year: 2007
Brand: Tapa
Width: 2200



Reference: LUI-038B
Weftstraightener
Year: -
Brand: Bianco
Width: 1800



Reference: LUI-041B
Weftstraightener
Year: -
Brand: Bianco
Width: 2000

AUXILIARY MACHINES FOR FINISHING



Reference: LUI-057
A-Frame Preparation Machine
Year: 1996
Brand: Monti
Width: 2000



Reference: TPL-002
ACUMULATOR BELT
Year: 1998
Brand: Tapalsa
Width: 1900 mm.



Reference: M-1319
Cutting/Sewing continuous toweling machine
Year: 1985
Brand: Norfil
Width: 1900



Reference: M-1318
Cutting continuous machine for toweling
Year: 1985
Brand: Norfil
Width: 3200



Reference: TC-22
Doubling and Rolling machine
Year: 1997
Brand: Tapalsa
Width: 3600



Reference: M-1043
Dust Brushing unit
Year: -
Brand: Corino
Width: 2000



Reference: M-1454
Dust Brushing unit
Year: -
Brand: Corino
Width: 2200



Reference: CR-1000
Edge trimmer for stenters
Year: 2006
Brand: Bruckner
Width: 0



Reference: M-844
Glue scraper
Year: -
Brand: CCMT
Width: 2000



Reference: LUI-053
Preparation Machine
Year: 1998
Brand: Simat
Width: 2000



Reference: M-1357
Product preparation kitchen
Year: 2001
Brand: Samovi
Width: 0



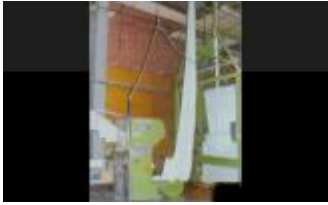
Reference: LUI-035
Rope Opener
Year: 1993
Brand: Bianco
Width: 2000



Reference: M-1218
Rope opener machine
Year: 1990
Brand: Bianco
Width: 2000



Reference: M-1403
Rope opener machine
Year: 1991
Brand: Bianco
Width: 2000



Reference: M-1071
Rope opener machine
Year: 1991
Brand: Bianco
Width: 1800



Reference: ESC55
Scale
Year: 2006
Brand: Europesaje
Width: 0



Reference: M-1320
Sewing and cutting open width ...
Year: -
Brand: Singer
Width: 3200



Reference: ESC46
Unrolling machine for knitting...
Year: 1989
Brand: Ferraro
Width: 2500



Reference: CC0088
Unwinding roll bed
Year: 1999
Brand: CCMT
Width: 2000



Reference: M-1340
Weft straightener
Year: 1988
Brand: Mahlo
Width: 2400



Reference: M-1294
Weft straightener
Year: 1976
Brand: Mahlo
Width: 3400



Reference: M-1271
Weft straightener
Year: 1987
Brand: Mahlo
Width: 2000



Reference: M-1080
Weft straightener
Year: 1986
Brand: Mahlo
Width: 2000



Reference: M-837
Weft straightener
Year: 1985
Brand: Mahlo
Width: 2000



Reference: LUI-038B
Weftstraightener
Year: -
Brand: Bianco
Width: 1800



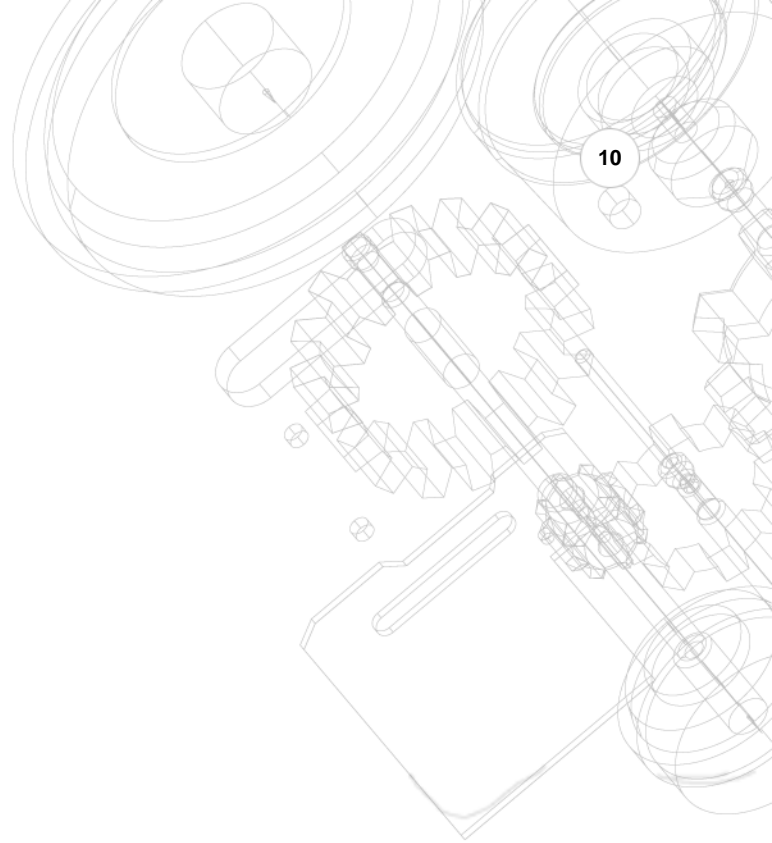
Reference: LUI-041B
Weftstraightener
Year: -
Brand: Bianco
Width: 2000



Reference: M-1233
Winding machine on dyeing beam
Year: 1999
Brand: CCMT
Width: 2300



Reference: M-1274
Winding Machine on Dyeing Beam
Year: 1995
Brand: Tepa
Width: 2900



EXTRUSION PLASTIC SHEET



Reference: TPL-007
LINE FOR EXTRUSION OF PLASTIC
SHEET
Year: .
Brand: .
Width: 800 mm.

FINISHING



Reference: TTE-02
Airo
Year: 1997
Brand: Biancalani
Width: 0



Reference: M-1165
Calander
Year: 1995
Brand: GMT
Width: 2000



Reference: LUI-027
Calander
Year: 1989
Brand: Beta
Width: 2000



Reference: ESC43
Calander knitting fabrics
Year: 1988
Brand: Heliot
Width: 1400



Reference: M-1456
Calander knitting fabrics
Year: .
Brand: Abac
Width: 1400



Reference: TPL-004
CONTINUOUS TUMBLER
Year: 1998
Brand: Tapalsa
Width: 1900 mm.



Reference: LUI-103
Cutting Corduroy Machine
Year: -
Brand: West Point
Width: 1700



Reference: RT-009
Decatizing continuous machine
Year: 1991
Brand: Bisio
Width: 1900



Reference: TPL-009
EMBOSSING MACHINE
Year: 1998
Brand: Llorens Planas
Width: 1450 mm.



Reference: TPL-010
EMBOSSING MOVABLE HEAD
Year: .
Brand: .
Width: 1700 mm.



Reference: TTE-24
Emerizing fabrics machine
Year: 2000
Brand: Torres
Width: 2000



Reference: TDE-01
Emerizing knitting fabrics machine
Year: 1993
Brand: Torres
Width: 1970



Reference: TDE-02
Emerizing knitting fabrics machine
Year: 1999
Brand: Torres
Width: 1900



Reference: CV08
Emerizing machine
Year: 1990
Brand: Torres
Width: 1900



Reference: LUI-100
Emerging Machine
Year: 1988
Brand: Caru
Width: -



Reference: LUI-012
Hydraulic A-Frame Drive
Year: -
Brand: -
Width: -



Reference: RT-012
Milling and scouring
Year: 1988
Brand: Zonco
Width: 0



Reference: LUI-022
Pad Batch
Year: 1974
Brand: Osthoff
Width: 2200



Reference: M-1147
Raising machine
Year: 1999
Brand: Torres
Width: 3200



Reference: CC0098
Raising machine
Year: 1995
Brand: Torres
Width: 2400



Reference: LUI-090
Raising Machine
Year: 1987
Brand: Lamperti
Width: 2000



Reference: TTE-03
Sanforizing machine
Year: 1989
Brand: Tapa
Width: 2000



Reference: M-1106
Sanforizing Machine
Year: 1992
Brand: Icomatex
Width: 2600



Reference: TDE-04
Shearing knitting fabrics machine
Year: 1991
Brand: Torres
Width: 2000



Reference: M-1427
Shearing machine
Year: 2001
Brand: Torres
Width: 3400



Reference: M-1410
Shearing machine
Year: 2000
Brand: Torres
Width: 1800



Reference: M-1210
Shearing machine
Year: 1997
Brand: Torres
Width: 2000



Reference: M-986
Shearing machine
Year: 1987
Brand: Torres
Width: 1900



Reference: LUI-095
Shearing Machine
Year: 1994
Brand: Lafer
Width: 2000



Reference: CC0018
Shinking machine for open knitted
Year: 1991
Brand: Tubex-Text
Width: 2000



Reference: M-1189
Singeing machine
Year: 1993
Brand: Fite
Width: 2000



Reference: M-1473
Singeing machine
Year: 2000
Brand: Fite
Width: 2000



Reference: M-1353
Singeing machine (Pad-batch)
Year: 1983
Brand: Osthoff
Width: 2200



Reference: LUI-041A
Stainless Steel Entry with Fluo
Year: 1991
Brand: Abac
Width: 2200



Reference: LUI-098
Sueding / Emerizing Machine
Year: 2002
Brand: Mario Crosta
Width: 2000



Reference: M-1278
Tumbler continuous
Year: -
Brand: Anglada
Width: 2000



Reference: M-1411
Tumbler continuous
Year: 1997
Brand: Anglada
Width: 2000



Reference: M-1401
Tumbler discontinuous
Year: 1990
Brand: Anglada
Width: -



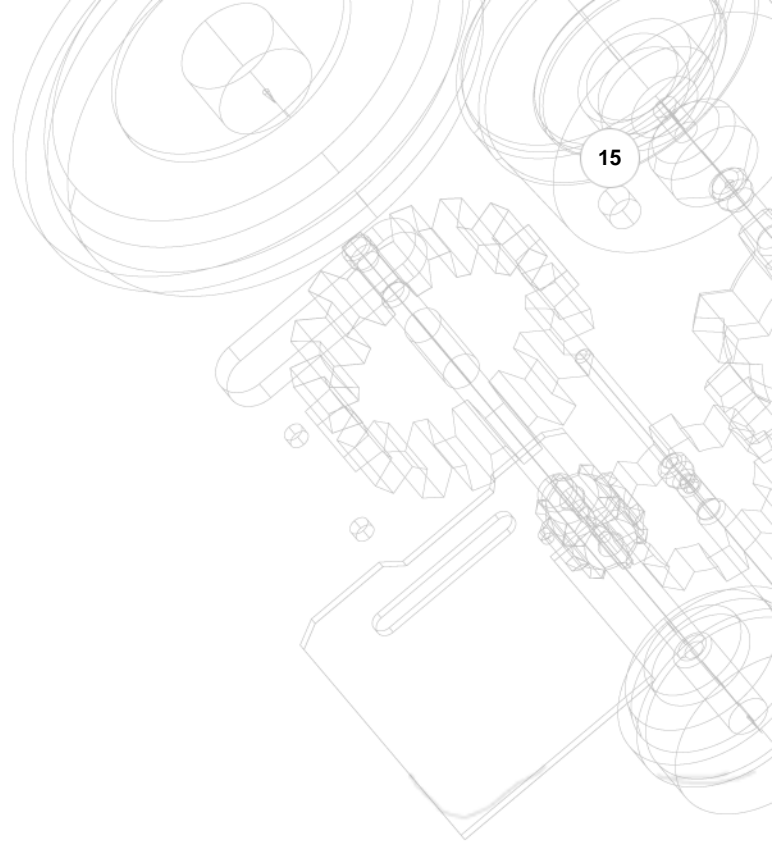
FLOCK



Reference: TPL-008
LOT OF 5 MACHINE FOR CUTTING
F...
Year: .
Brand: .
Width: .



Reference: TPL-003
VIBRACTION UNIT MOTORIZED
Year: .
Brand: .
Width: 1600 mm.



HOT-MELT



Reference: TPL-006
HOT-MELT MACHINE
Year: 1996
Brand: Llorens Planas
Width: 1500 mm. útil.

LABORATORY



Reference: TTE-18
Beam shrinking samples with steam
Year: -
Brand: Wira
Width: 0



Reference: LAN-547
Colour doping plant
Year: 1996
Brand: Orintex
Width: 0



Reference: TTE-17
Crockmeter
Year: -
Brand: -
Width: 0



Reference: TTE-21
Deshumidificator
Year: -
Brand: Hyster
Width: 0



Reference: CR-118
Dyeing padder labo
Year: -
Brand: Mathis
Width: 350



Reference: M-1405
Dyeing padder labo
Year: "
Brand: Mathis
Width: 400



Reference: LUI-130
Fotospectrometer
Year: 2002
Brand: Gretagmacbeth
Width: -



Reference: ESC50
Hidro-extractor
Year: -
Brand: AEG
Width: 0



Reference: LUI-126
Jigger of Laboratory
Year: -
Brand: Werner Mathis AG
Width: -



Reference: CAMLUZ
Light FASTNESS Tester
Year: .
Brand: Branca Idealair
Width: 600



Reference: ESC51
Oven laboratory
Year: -
Brand: G. Vittadini
Width: 0



Reference: LUI-070
Pad Steam of Laboratory
Year: -
Brand: Ernst Benz
Width: 350



Reference: M-1275
Padder laboratory
Year: -
Brand: Tapa
Width: 300



Reference: ESC54
Scale
Year: -
Brand: Mettler
Width: 0



Reference: LAN-542
Scale
Year: -
Brand: Mettler
Width: 0



Reference: LAN-543
Scale
Year: 2006
Brand: Sartorius
Width: 0



Reference: TTE-19
Scale dyeing machine
Year: -
Brand: Hanan
Width: 0



Reference: TTE-16
Sewing machine 3 threads
Year: -
Brand: Siruba
Width: 0



Reference: CR-119
Tint control
Year: -
Brand: Ahiba
Width: 0



Reference: ESC53
Tint control
Year: -
Brand: Ahiba
Width: 0



Reference: LUI-129
Tint Control
Year: -
Brand: Gavazzi
Width: -



Reference: LAN-548
Water analyzer
Year: -
Brand: Velp
Width: 0

OPEN-WIDTH DYEING



Reference: M-1426
Atmospheric jigger
Year: 2000
Brand: Tapa
Width: 2000



Reference: LUI-023
Dyeing Line Open Width with Foulard
Year: 1987
Brand: Küsters
Width: 2000



Reference: CR-109
Horizontal Beam Dyeing Machine
Year: 1999
Brand: Thies
Width: 0



Reference: M-1178
Horizontal Beam Dyeing Machine
Year: 1994
Brand: ICBT
Width: 2000



Reference: LUI-005
Jigger
Year: 1990
Brand: Mezzera
Width: 2000



Reference: LUI-006
Jigger
Year: 1990
Brand: Mezzera
Width: 2000



Reference: M-1194
Jigger atmospheric
Year: 1993
Brand: Intes
Width: 2000



Reference: M-1193
Jigger atmospheric
Year: 1992
Brand: Intes
Width: 2000



Reference: M-955
Jigger atmospheric
Year: 1998
Brand: Asyst
Width: 2000



Reference: M-1192
Jigger atmospheric
Year: 1989
Brand: Intes
Width: 2000



Reference: M-911
Jigger atmospheric
Year: 1983
Brand: Vald-Herikssen
Width: 1870



Reference: UTX-001
Jigger Atmospheric Electronic
Year: 1999
Brand: Küsters
Width: 2.400



Reference: UTX-002
Jigger Atmospheric Electronic
Year: 1999
Brand: Küsters
Width: 2400



Reference: CT-05
Jigger high pressure
Year: 1997
Brand: MCS
Width: 2000



Reference: M-1220
 Jigger high pressure
 Year: 1993
 Brand: MCS
 Width: 2000



Reference: M-1222
 Jigger high pressure
 Year: 1983
 Brand: MCS
 Width: 2000



Reference: LUI-025
 Thermosol
 Year: 1974
 Brand: Artos
 Width: 2000



Reference: LAN-537
 Vertical yarn dyeing machine
 Year: 2003
 Brand: Loris Bellini
 Width: 0



Reference: CR-045
 Winding Machine on Dyeing Beam
 Year: 1988
 Brand: La Meccanica
 Width: 2200

PADDER / FOULARD DYEING, SQUEEZING & IMPREGNATING



Reference: M-1402
Dyeing padder
Year: 1979
Brand: Küsters
Width: 2000



Reference: M-1037
Dyeing padder
Year: 1978
Brand: Küsters
Width: 2000



Reference: TTE-08A
Dyeing padder
Year: 1989
Brand: Küsters
Width: 2000



Reference: LUI-019A
Foulard
Year: 1987
Brand: Küsters
Width: 2200



Reference: TPL-011
IMPREGNATION FOUULARD 3
ROLLERS
Year: 1998
Brand: Aigle
Width: 1800 mm.



Reference: CR-137
Impregnation padder
Year: 1980
Brand: Küsters
Width: 2400



Reference: CR-040C
Impregnation padder
Year: 1990
Brand: Küsters
Width: 2400



Reference: ESC41A
Rope padder
Year: 1990
Brand: Bianco
Width: 300



Reference: CC0015
Squeezing and finishing padder
Year: 1983
Brand: Benguerel
Width: 2400



Reference: TC-51
Squeezing and finishing padder
Year: 1975
Brand: Küsters
Width: 3600



Reference: TC-50
Squeezing and finishing padder
Year: 1975
Brand: Küsters
Width: 3600



Reference: M-1240
Squeezing and finishing padder
Year: 1985
Brand: Kleinewefers
Width: 2000



Reference: SD0027-4
Squeezing and finishing padder
Year: 1986
Brand: Artos
Width: 2400



Reference: M-1315
Squeezing and finishing padder
Year: 1979
Brand: Artos
Width: 3400



Reference: M-1293
Squeezing and finishing padder
Year: 1981
Brand: Küsters
Width: 3400



Reference: M-1091
Squeezing and finishing padder
Year: -
Brand: Artos
Width: 3200



Reference: M-1002
Squeezing and finishing padder
Year: 1988
Brand: Artos
Width: 2200



Reference: CR-039B
Squeezing and finishing padder
Year: 1990
Brand: Küsters
Width: 2400



Reference: UNI-002
Squeezing and finishing padder
Year: 1994
Brand: Elitex
Width: 2400



Reference: UNI-001
Squeezing and finishing padder
Year: 1993
Brand: Elitex
Width: 2400



Reference: CC0087
Squeezing padder
Year: 1999
Brand: Intes
Width: 2200

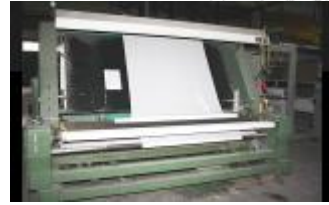


Reference: CR-039C
Squeezing padder
Year: 1990
Brand: Küsters
Width: 2400

PREPARING, INSPECTION, ROLLING & PACKING



Reference: TTE-01
Flat inspecting machine
Year: 1985
Brand: Tapalsa
Width: 2000



Reference: ESC47
Inspecting machine
Year: -
Brand: Tapalsa
Width: 2600



Reference: Gunne-23
Inspecting machine
Year: -
Brand: Matex-U
Width: 2900



Reference: TPL-001
INSPECTING MACHINE
Year: 1999
Brand: Tapalsa
Width: 1900 mm.



Reference: ESC48
Inspecting machine roll to roll
Year: -
Brand: Massana
Width: 2200



Reference: LUI-075
Inspecting, Rolling and Packin...
Year: 1999
Brand: -
Width: 2000



Reference: LUI-076
Inspecting, Rolling and Packin...
Year: 1992
Brand: Simat
Width: 2000



Reference: LUI-077
Inspecting, Rolling and Packin...
Year: 1992
Brand: Simat
Width: 2000



Reference: EC-127
Inspection & rolling machine
Year: -
Brand: Offri
Width: 2100



Reference: M-1033
Inspection & rolling machine
Year: 1988
Brand: Tapalsa
Width: 1800



Reference: M-1449
Packing machine
Year: 2000
Brand: Belca
Width: 1800



Reference: LUI-079
Packing Machine
Year: 1992
Brand: Simat
Width: -



Reference: LUI-080
Packing Machine
Year: 1992
Brand: Simat
Width: -



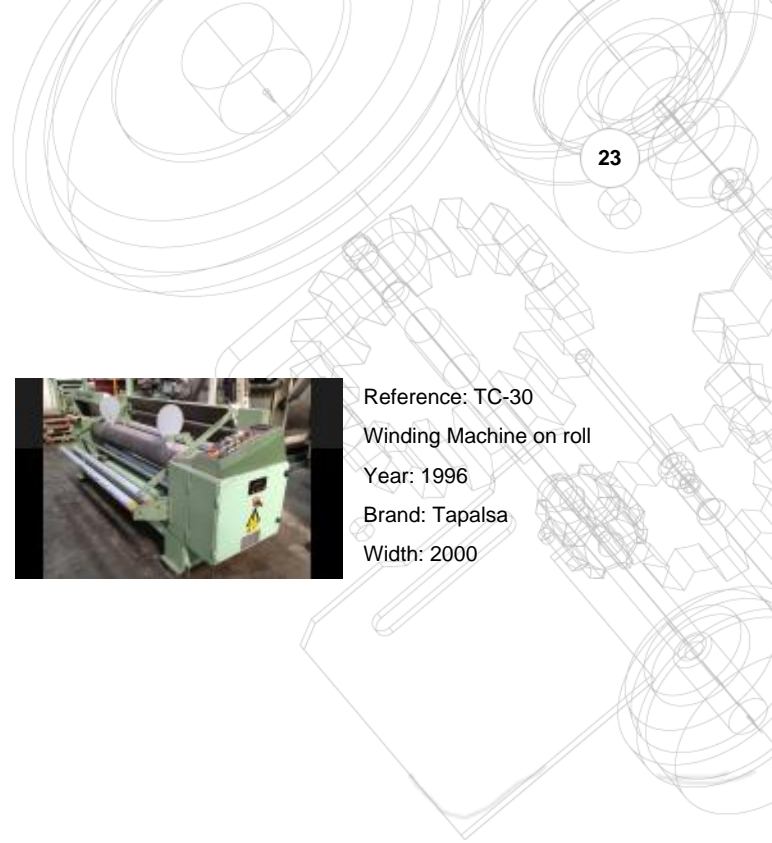
Reference: M-1471
PREPARING MACHINE
Year: 2001
Brand: Testa
Width: 2000



Reference: LUI-097
Rolling Machine
Year: -
Brand: Simat
Width: 2000



Reference: TC-30
Winding Machine on roll
Year: 1996
Brand: Tapalsa
Width: 2000



PRINTING



Reference: TPL-014
COATING MACHINE
Year: 1998
Brand: Llorens Planas
Width: 2200 mm.



Reference: M-1463
Colour dosing kitchen
Year: 1996
Brand: IAS
Width: .



Reference: EST-25
COLOUR MIXER
Year: 1999
Brand: Cominox
Width: .



Reference: EST-10
DRYER FOR moulds
Year: .
Brand: .
Width: .



Reference: EST-14
Emery machine for Creel
Year: .
Brand: .
Width: .



Reference: M-1416
Fibers remove machine for prin...
Year: 2010
Brand: Stork
Width: 2000



Reference: EST-28
FILTER
Year: 1996
Brand: Colombo
Width: .



Reference: EST-04
Flat bed printing machine
Year: 1990
Brand: Reggiani
Width: 1700



Reference: EST-07
Flat bed printing machine
Year: 1998
Brand: MS
Width: 2100



Reference: TPL-012
HEAD OF PRINTING
Year: .
Brand: Rotopractic
Width: 1840 mm.



Reference: TPL-013
HEAD OF PRINTING
Year: .
Brand: .
Width: 1170 mm.



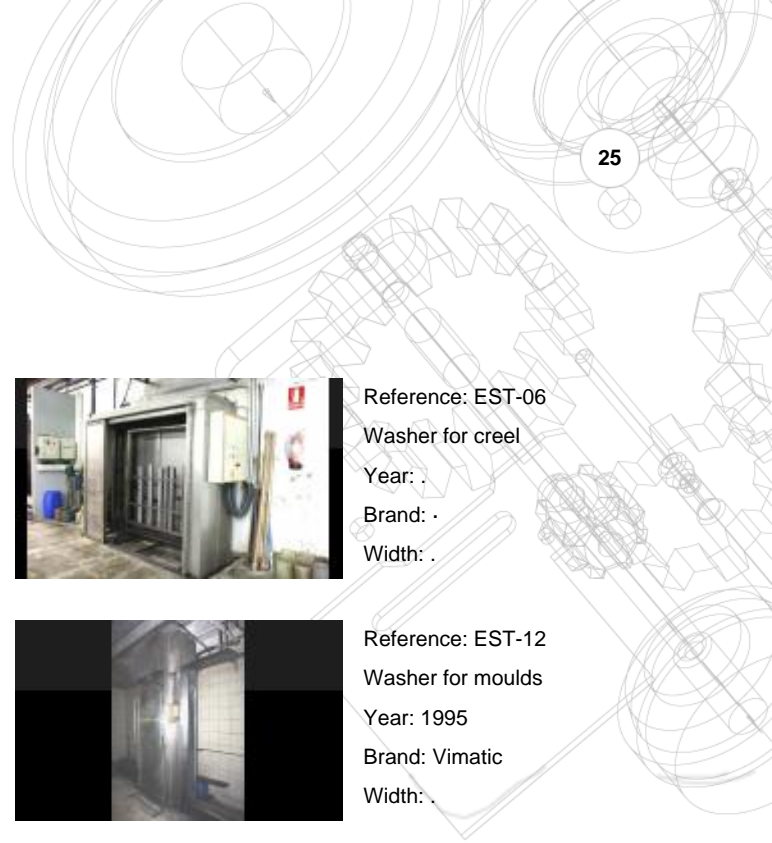
Reference: EST-27
MIXER FOR PASTE
Year: 1992
Brand: Zanzotera
Width: .



Reference: F-2095
Mixing machine for print paste
Year: .
Brand: CCMT
Width: 0



Reference: CC0071
Pater Noster (Rotary storage)
Year: 1995
Brand: Galvanin
Width: 5200



Reference: EST-24
 PRINTING TABLE FOR SAMPLES
 Year: .
 Brand: .
 Width: .



Reference: EST-06
 Washer for creel
 Year: .
 Brand: .
 Width: .



Reference: EST-05
 Washer for moulds
 Year: .
 Brand: Fasana Renato
 Width: .



Reference: EST-12
 Washer for moulds
 Year: 1995
 Brand: Vimatic
 Width: .



Reference: EST-11
 WASHER OF CANS
 Year: 1995
 Brand: Vimatic
 Width: .

ROPE DYEING



Reference: TT060
Jet atmospheric
Year: 1985
Brand: Brazzoli
Width: 0



Reference: TT059
Jet atmospheric
Year: 1985
Brand: Brazzoli
Width: 0



Reference: EST-20
Jet dye atmospheric machine
Year: 1989
Brand: Brazzoli
Width: .



Reference: EST-21
Jet dye atmospheric machine
Year: 1989
Brand: Brazzoli
Width: .



Reference: CR-103
Jet dyeing machine
Year: 2005
Brand: MCS
Width: 0



Reference: ESC07
Jet dyeing machine
Year: 1989
Brand: ATYC
Width: 0



Reference: APB-001
Jet dyeing machine
Year: 1997
Brand: Thies
Width: .



Reference: APB-002
Jet dyeing machine
Year: 1988
Brand: ATYC
Width: .



Reference: APB-003
Jet dyeing machine
Year: 1991
Brand: ATYC
Width: .



Reference: APB-004
Jet Dyeing machine
Year: 1996
Brand: Abac
Width: .



Reference: APB-005
Jet Dyeing machine
Year: 1997
Brand: C-Text
Width: .



Reference: CR-086
Jet dyeing machine H.T.
Year: 1985
Brand: Tessinox
Width: 0



Reference: ESC13
Jet dyeing machine H.T.
Year: 1988
Brand: ATYC
Width: 0



Reference: ESC21
Jet dyeing machine H.T.
Year: 1997
Brand: ATYC
Width: 0



Reference: CT-03
Jet dyeing machine H.T.
Year: 1998
Brand: Thies
Width: 0



Reference: M-1289
Jet dyeing machine H.T.
Year: 1976
Brand: ATYC
Width: 0



Reference: SD0021
Jet dyeing machine H.T.
Year: 2004
Brand: CCMT
Width: 0



Reference: M-960
Jet dyeing machine H.T.
Year: 2004
Brand: CCMT
Width: 0



Reference: M-757
Jet dyeing machine H.T.
Year: 2005
Brand: ATYC
Width: 0



Reference: CV58
Jet dyeing machine H.T.
Year: 1998
Brand: ATYC
Width: 0



Reference: M-1453
Jet dyeing machine H.T.
Year: 1998
Brand: Thies
Width: .

SQUEEZING



Reference: M-869
Hidro-Extractor D1500*450mm
Year: 2005
Brand: Becherini
Width: 0



Reference: M-1300
Hidro-Extractor D1500*540mm
Year: -
Brand: Font
Width: 0



Reference: M-1311
Hidro-Extractor D1700*600mm
Year: 1983
Brand: AMB
Width: 0



Reference: M-1202
Hidro-extractor D700*500mm
Year: -
Brand: CCMT
Width: 0



Reference: LAN-109
Hydroextractor (Bobines)
Year: 1999
Brand: Galvanin
Width: 0



Reference: TR-02
Hydroextractor (bobines)
Year: 1991
Brand: Dettin
Width: 0



Reference: EC-190
Vacuum extractor
Year: 1999
Brand: Corino
Width: 2400



Reference: CR-1003
Vcuum pump
Year: 2000
Brand: Nash
Width: 0

STEAM BOILER / THERMIC OIL BOILER



Reference: 1186
 Boiler (Thermic oil)
 Year: 1991
 Brand: Enrichetti
 Width: 0



Reference: LAN-950
 Boiler (Thermic oil)
 Year: 1984
 Brand: Sugimat
 Width: 0



Reference: M-1382
 Boiler (Thermic oil)
 Year: 1988
 Brand: Noxman
 Width: 0



Reference: LUI-082
 Osmosis System
 Year: 1998
 Brand: Babcock Wanson
 Width: -



Reference: M-1455
 Steam boiler
 Year: 1998
 Brand: Onter Vapor
 Width: .



Reference: EST-38
 Steam boiler
 Year: 1989
 Brand: Korwy
 Width: .



Reference: EST-39
 Steam Boiler
 Year: 1992
 Brand: Korwy
 Width: .



Reference: TIG-01
 STEAM BOILER
 Year: 2000
 Brand: Steambloc
 Width: .



Reference: LUI-051
 Steam Boiler
 Year: 1998
 Brand: Babcock Wanson
 Width: -



Reference: LUI-050
 Steam Boiler
 Year: 1998
 Brand: Babcock Wanson
 Width: -



Reference: LUI-049
 Steam Boiler
 Year: 2000
 Brand: Babcock Wanson
 Width: -



Reference: LUI-052
 Steam Boiler
 Year: 1998
 Brand: Babcock Wanson
 Width: -

STEAMING & WASHING MACHINES



Reference: LUI-037
Cooling and Recuperator for Ca...
Year: 1987
Brand: Kasag
Width: -



Reference: M-1412
Dry cleaning machine
Year: 1999
Brand: Union
Width: 0



Reference: LUI-030
Dryer Line with Double Impregn...
Year: -
Brand: Beta
Width: 2000



Reference: M-1024
Mercerising machine
Year: 1988
Brand: Benninger
Width: 2000



Reference: LUI-039
Mercerizing Machine
Year: -
Brand: Benninger
Width: 2400



Reference: LUI-102
Open Width Washing and Finishi...
Year: -
Brand: -
Width: 2000



Reference: LUI-040
Open Width Washing Machine
Year: -
Brand: Benninger
Width: 2280



Reference: LUI-019
Pad Steam
Year: 1987
Brand: Artos
Width: 2600



Reference: M-1160
Relaxation and Prewashing machine
Year: 1998
Brand: Albrecht
Width: 0



Reference: EC-109
Steamer
Year: 1991
Brand: Arioli
Width: 0



Reference: M-1161
Steamer
Year: 2004
Brand: CCMT
Width: 0



Reference: TTE-08C
Washing machine open-width
Year: 1989/2007
Brand: Babcock
Width: 1800



Reference: TTE-06
Washing machine open-width
Year: 2007
Brand: Tapa
Width: 2200



Reference: M-1227
Washing machine open-width
Year: 1996
Brand: Benninger
Width: 2000



Reference: EST-22

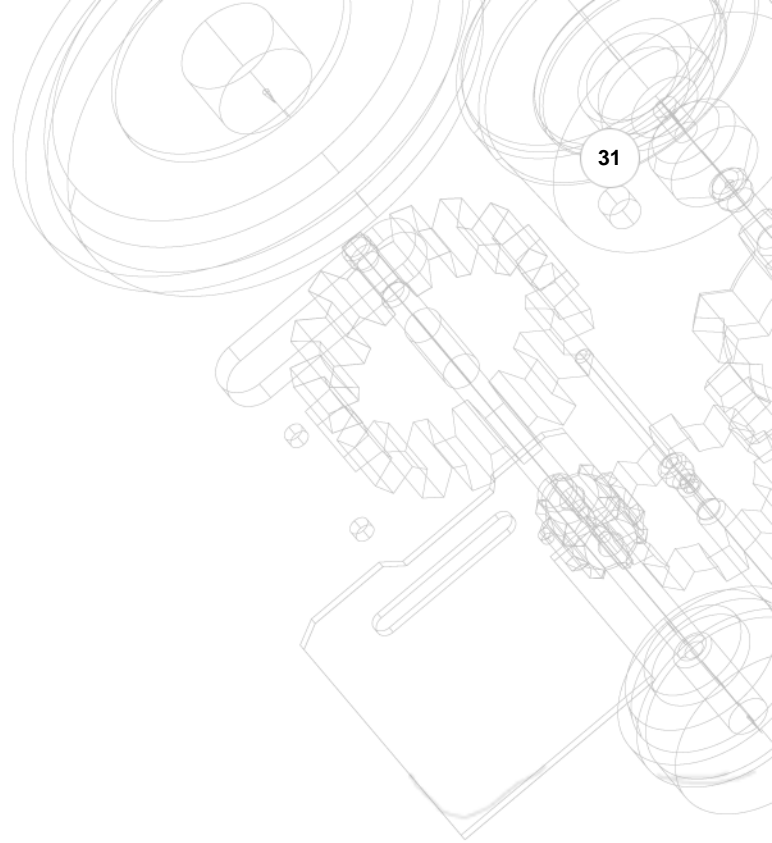
WASHING STAINLESS STEEL

WINCH

Year: .

Brand: Moline

Width: .



STENTER & DRYING MACHINES



Reference: EST-17
DRYER
Year: .
Brand: Icomatex
Width: 2200



Reference: LAN-227
Dryer for hanks
Year: 2002
Brand: Galvanin
Width: 0



Reference: M-103901
Drying machine
Year: 1990
Brand: Artos
Width: 1800



Reference: TPL-005
DRYING OVEN
Year: 2003
Brand: Euroteco
Width: .



Reference: F-4527
GRAVIMAT weight measurement
system
Year: 1997
Brand: Mahlo
Width: .



Reference: F-4526
PERMASET: STENTER CONTROL
SYSTEM
Year: 1997
Brand: Mahlo
Width: .



Reference: LUI-041
Stenter
Year: -
Brand: Artos
Width: 2300



Reference: LAN-110
Dryer (Bobines)
Year: 1998
Brand: Galvanin
Width: 0



Reference: TR-01
Dryer high frequency
Year: 1981
Brand: Strayfield
Width: 0



Reference: TTE-05
Drying machine (2 columns)
Year: 2007
Brand: Morrison
Width: 2.000



Reference: CR-064
Filter exchanger
Year: -
Brand: HRS Engineering
Width: 0



Reference: CR-064B
Heat Recuperator air-air
Year: 1998
Brand: Bruckner
Width: .



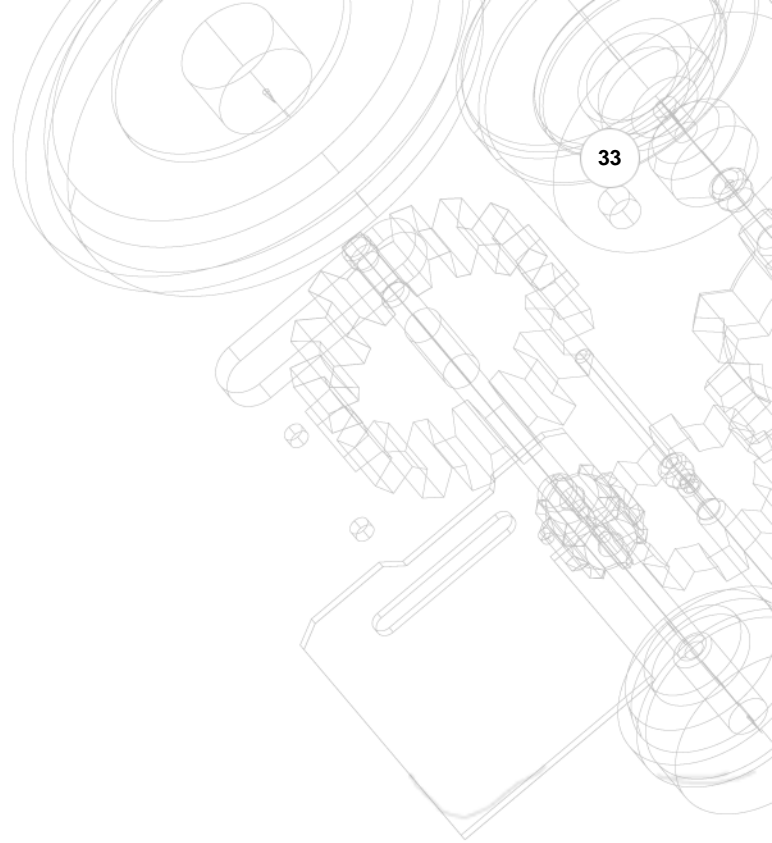
Reference: LUI-038
Stenter
Year: -
Brand: Artos
Width: 2300



Reference: M-1133
stenter "Guiding open"
Year: 1987
Brand: Tepa
Width: 1800



Reference: M-1450
Vertical chain stenter
Year: .
Brand: Bruckner
Width: .



VARIOUS



Reference: BPS-030
Adsorption dryers DryXtreme NST
Year: 2007
Brand: NOVAIR-MTA SA
Width: .



Reference: BPS-031
Adsorption dryers DryXtreme NST
Year: 2007
Brand: NOVAIR-MTA SA
Width: .



Reference: TTE-08B
Air duct for oxidation
Year: 2007
Brand: .
Width: 2000



Reference: F-3998
Burners gas
Year: 2002
Brand: Maxon
Width: 0



Reference: F-3597
Cloth rolls crain
Year: 2005
Brand: Dalmecc
Width: 0



Reference: M-1285
Compressor
Year: 1990
Brand: GTS
Width: 0



Reference: EST-43
Compressor
Year: .
Brand: Ingersollrand
Width: .



Reference: TPL-019
COMPRESSOR
Year: 1997
Brand: Air Pack
Width: .



Reference: TPL-020
COMPRESSOR
Year: 1997
Brand: Air Pack
Width: .



Reference: TPL-021
COMPRESSOR
Year: 1997
Brand: Air Pack
Width: .



Reference: TPL-022
COMPRESSOR
Year: 1997
Brand: Air Pack
Width: .



Reference: M-929
Compressor sciew
Year: 1992
Brand: Eco Air
Width: .



Reference: ESC68
Fork Lift
Year: 1999
Brand: Jungheinrich
Width: 0



Reference: BPS-019
Fork lift
Year: 1996
Brand: BLITZ
Width: .



Reference: TPL-017
HYDRAULIC UNIT
Year: 1977
Brand: Asisa
Width: .



Reference: TPL-018
HYDRAULIC UNIT
Year: 1970
Brand: Zolic
Width: .



Reference: LIC-006
Infrared Radiand Heater
Year: 2006
Brand: CARLIEUKLIMA
Width: .



Reference: TPL-016
MILL CRUSHER
Year: .
Brand: .
Width: .



Reference: EST-26
PORTATIL MIXER
Year: .
Brand: .
Width: .



Reference: M-1312
Rounding cones machine
Year: .
Brand: Guedinox
Width: 0



Reference: EST-29
Scale
Year: .
Brand: Gram
Width: .



Reference: EST-30
Scale
Year: .
Brand: Mobba
Width: .



Reference: EST-31
Scale
Year: .
Brand: Mobba
Width: .



Reference: EST-32
Scale
Year: .
Brand: Mobba
Width: .



Reference: EST-48
Scale
Year: .
Brand: .
Width: .



Reference: EST-49
Scale
Year: .
Brand: Gram
Width: .



Reference: LUI-067
Screw Compressor
Year: -
Brand: Rollair
Width: -



Reference: M-1333
Sewing chain steitcher machine...
Year: .
Brand: Siruba
Width: 0



Reference: M-1337
Sewing machine
Year: -
Brand: PFAF
Width: 0



Reference: M-1336
sewing machine
Year: -
Brand: PFAF
Width: 0



Reference: M-1335
Sewing machine
Year: -
Brand: PFAF
Width: 0



Reference: M-1334
Sewing machine
Year: -
Brand: PFAF
Width: 0



Reference: M-1329
Sewing machine (electric)
Year: -
Brand: Gubtor
Width: 0



Reference: M-1330
Sewing machine (electric)
Year: -
Brand: Gubtor
Width: 0



Reference: M-1331
Sewing machine (electric)
Year: -
Brand: Gubtor
Width: 0



Reference: M-1332
Sewing machine (electric)
Year: -
Brand: Inderle
Width: 0



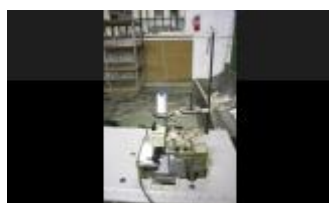
Reference: EST-33
Sewing machine (electric)
Year: .
Brand: Singer
Width: .



Reference: EST-34
Sewing machine (electric)
Year: .
Brand: Rimoldi
Width: .



Reference: EST-35
Sewing machine (electric)
Year: .
Brand: Brother
Width: .



Reference: EST-36
Sewing machine (electric)
Year: .
Brand: Siruba
Width: .



Reference: EST-37
Sewing machine (electric)
Year: .
Brand: Brother
Width: .



Reference: M-1324
Sewing machine (pneumatic)
Year: -
Brand: Zenith
Width: 0



Reference: M-1325
Sewing machine (pneumatic)
Year: -
Brand: Zenith
Width: 0



Reference: M-1326
Sewing machine (pneumatic)
Year: -
Brand: Zenith
Width: 0



Reference: M-1327
Sewing machine (pneumatic)
Year: -
Brand: Zenith
Width: 0



Reference: M-1328
Sewing machine (pneumatic)
Year: -
Brand: Zenith
Width: 0



Reference: ESC58
Sewing machine electric 2 threads
Year: -
Brand: Rimoldi
Width: 0



Reference: ESC59
Sewing machine electric 2 threads
Year: -
Brand: Yamato
Width: 0



Reference: ESC57
Sewing machine electric 3 threads
Year: -
Brand: Siruba
Width: 0



Reference: ESC60
Sewing machine electric 3 threads
Year: -
Brand: -
Width: 0



Reference: ESC56
Sewing machine pneumatic
Year: -
Brand: Romert
Width: 0



Reference: M-1344
Tractor
Year: -
Brand: Deutz-Fahr
Width: 0

For more machines and pictures you can visit our web site:

WWW.COMERCIALCATALANA.COM

We also have available:

- Dyeing / Squeezing and impregnating padder
- Inspection, rolling and packing machines
- Hydroextractors
- Winding for beam dyeing
- A-frames diferent width
- Escales
- Laboratory equipment
- Screw compressors and air dryer
- Sewing machines
- Open width sewing machines
- Hydraulics unit
- Poliester tanks for water and liquid salt
- Stainles steel tanks, diferent capacities
- Water treatment
- Land filters
- Metallic racks
- Electric fork lifts
- Reparation and maintenance service
- New TECNOLOGIES for finishing and dyeing machinery

See our Technology section within our web site www.comercialcatalana.com